

**PROVEN PERFORMANCE**

Customers in over 50 countries and in diverse markets and sectors.



# Kinco

HMI  
Touch Screen

 **Kinco HMI Catalog**

- MT4000 Series
- MT5000 Series
- Text Display Series
- Customized Series



**Kinco® Automation**  
www.en.kinco.cn Email:sales@kinco.cn

(All trademarks and logos in this brochure are property of and registered by their respective owners.)

K1E03-1709

## CONTENTS

### MT4000 Series

- 02 MT4000 System Description
- 03 Hardware Description
- 04 Technical Specifications
- 12 Dimensions

### MT5000 Series

- 15 MT5000 System Description
- 16 Hardware Description
- 17 Technical Specifications
- 23 Dimensions
- 24 MT5000 with PLC communication cable list

### Text Display

- 25 MD200/300

### Customized Series

- 28 Special HMI (Severe environment & vehicle HMI) : CZ6 / CZ10
- 30 Waterproof HMI : F7 / F10
- 31 Holdheld Terminal : SZ7

### Kinco HMIware software Description

- 32 What is Kinco HMIware
- 33 How to use Kinco HMIware

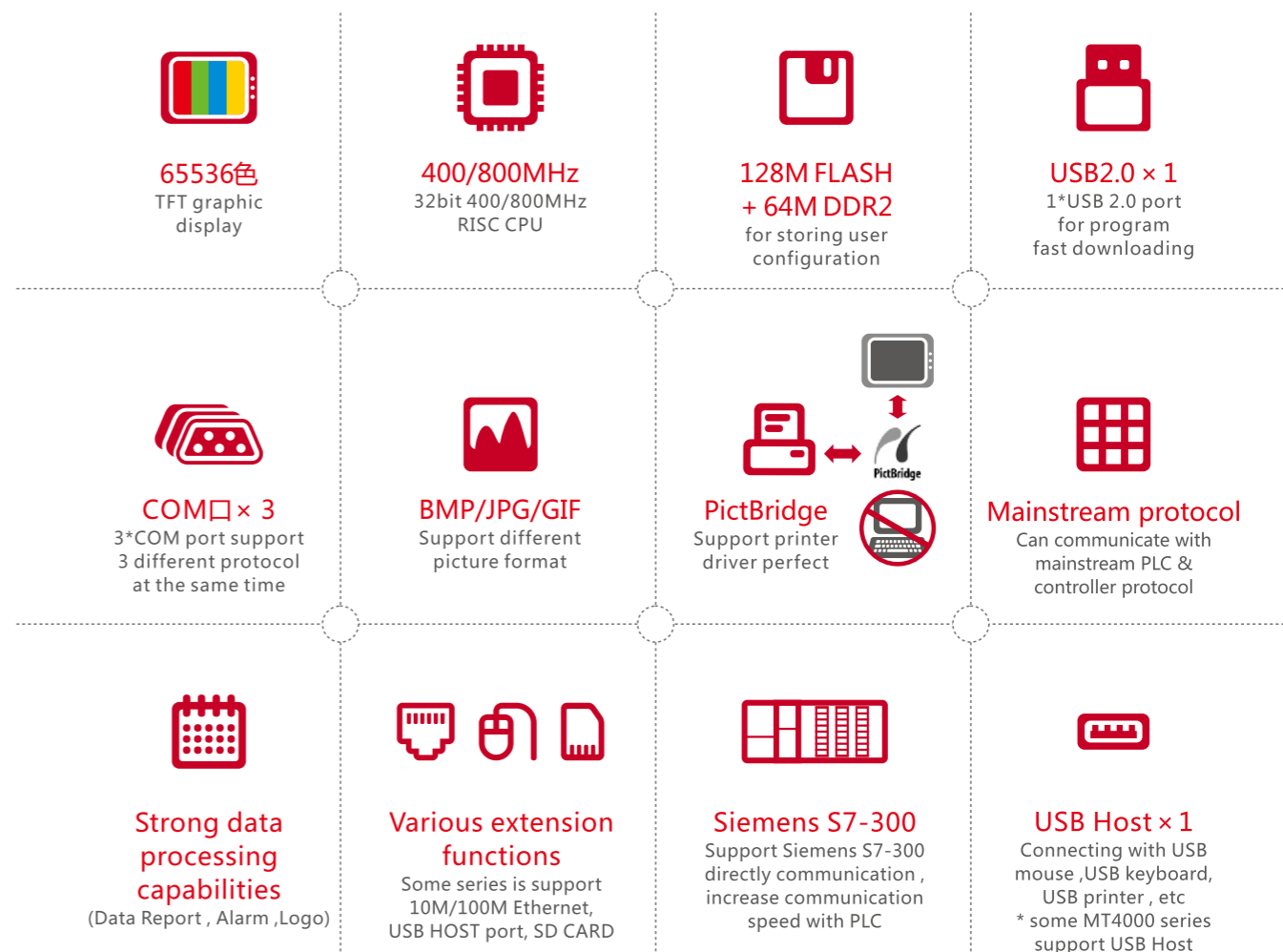


### MT4000 Series

Base on Linux platform with high efficiency HMI

As the industrial competition is getting fiercer, more and more customers demand HMI products featuring more powerful functions, more convenient operation, quicker response speed, and lower cost. As an upgraded version, the MT4000 is designed to meet customer requirements. It derives from our consistent efforts to improve HMI touch screens and represents one of the many high-performance products for industrial applications.

Supporting almost all the mainstream functions for Middle-End applications with high performance, the MT4000 adopts the 32-bit RISC CPU, capable of calling complicated shapes and satisfying the requirements of most customers. It can communicate directly with many PLCs, while no special program is required for data transfer with these PLCs. In addition, it supports such functions as on-line simulation, super-large storage space for user configurations, and macros compatible with the standard C language. It can perform on-site data collection, processing, monitoring, and output in a quick, effective, and secure way.

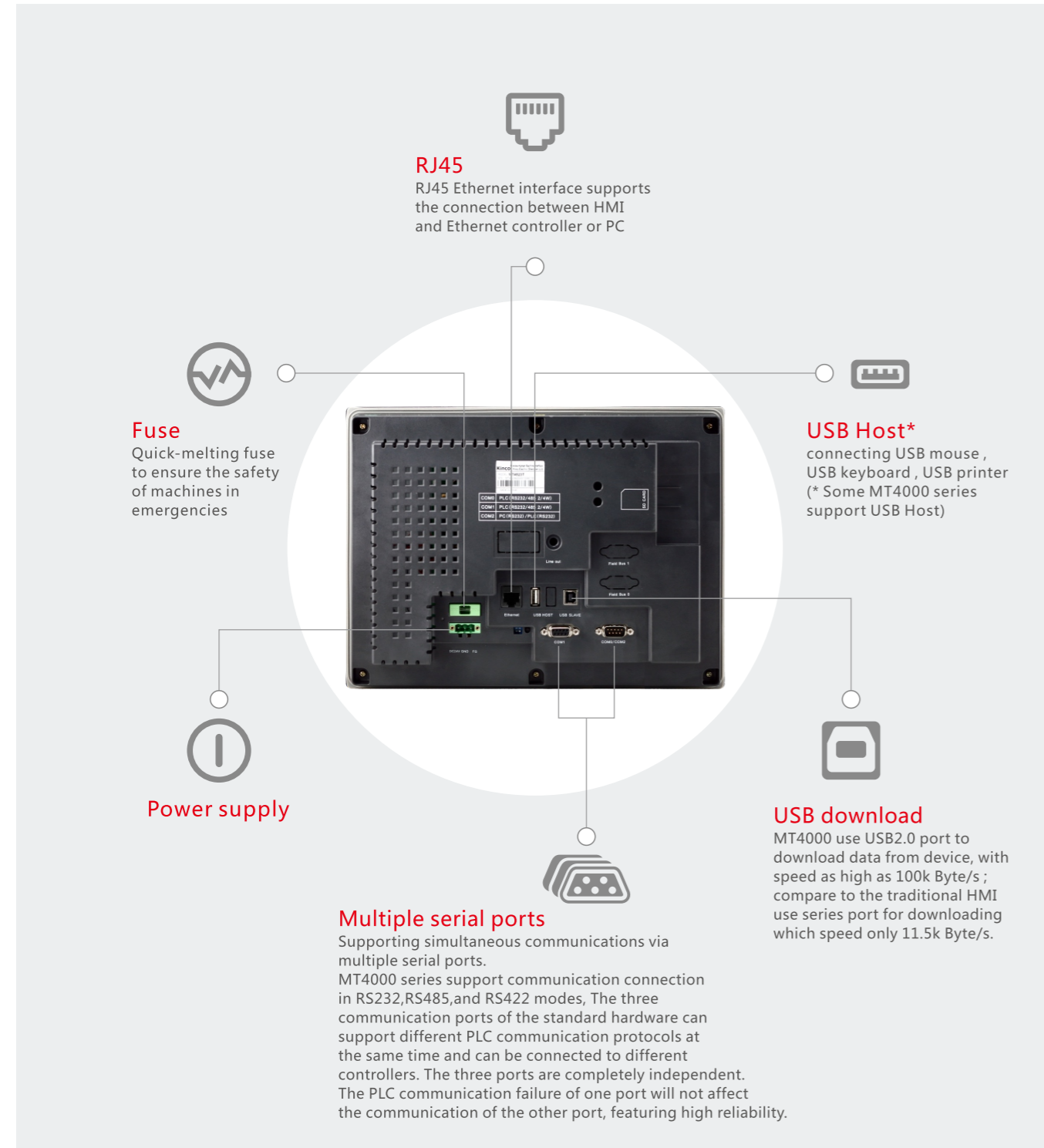


## Standard equipped:

Three high-speed serial ports × 3



USB SLAVE port × 1



MT4230T/MT4230TE



MT4210T/MT4220TE

Model	MT4230T	MT4230TE	MT4210T*	MT4220TE
<b>Performance specification</b>				
Display	4.3" TFT ( 16:9 )		4.3" TFT ( 16:9 )	
Resolution	480×272 pixels		480×272 pixels	
Color	65536 colors		65536 colors	
Brightness	250cd/m <sup>2</sup>		300cd/m <sup>2</sup>	
Backlight	LED		LED	
Touch Panel	4-wire precision resistance network		4-wire precision resistance network	
Backlight life	50000 hr.		50000 hr.	
Processor	800MHz RISC		400MHz RISC	800MHz RISC
Memory	128MB Flash+64MB RAM	128MB Flash+64MB RAM	128MB Flash+64MB RAM	128MB Flash+64MB RAM
Recipe memory & RTC	512KB+RTC	512KB+RTC	512KB+RTC	512KB+RTC
Expandable memory	None	None	1USB Host(≤16G)	1USB Host(≤16G)+1SD Card(≤32G)
Printer port	USB Slave/Serial port	USB Slave/Serial port	USB Host/Slave/Serial port	USB Host/Slave/Serial port
Ethernet	None	10/100M self-adaptive	None	10/100M self-adaptive
Program download	USB Slave/Serial port	USB Slave/Serial port/Ethernet port	USB/Serial port	USB/Serial port/Ethernet port
COM port	COM0:RS232/RS485-2/4 , COM2:RS232		COM0:RS232/RS485-2/4 , COM2:RS232	
<b>Electrical specification</b>				
Power supply isolation	-		-	
Rated power	2.4W		4.8W	
Rated voltage	DC24V		DC24V	
Input range	DC12V~DC28V		DC12V~DC28V	
Power down allowed	<3ms		<5ms	
Insulation resistance	Greater than 50MΩ@500VDC		Greater than 50MΩ@500VDC	
Dielectric strength test	500V AC 1 minute		500V AC 1 minute	
<b>Structure specification</b>				
Shell color	Black		Black	
Shell material	Fireproof ABS		ABS	
Dimensions(mm)	132×102×33 mm		154×89×60 mm	
Cutout size(mm)	119×93 mm		145×81 mm	
Weight	0.21kg		0.4kg	
<b>Environment specification</b>				
Operating temperature	0~50°C		-20~55°C	
Operating humidity	10~90%RH ( non-condensing )		10~90%RH ( non-condensing )	
Storage temperature	-10~60°C		-25~60°C	
Storage humidity	10~90%RH ( non-condensing )			
Shockproof test	10~25 Hz (X, Y, Z direction 2G/30 minutes)			
Cooling method	Natural air cooling			
<b>Certification</b>				
Degree of protection	IP65 (4208—93)			
CE certification	EN61000-6-2: 2005, EN61000-6-4: 2007			
FCC compatibility	Complies with FCC Class A			

\*MT4210T UL Certification.

# MT4000 Series Technical Specifications



MT4310C



MT4300C/MT4300CE

Model	MT4310C	MT4300C	MT4300CE
<b>Performance specification</b>			
Display	5.6" TFT		
Resolution	320×234 pixels		
Color	65536 colors		
Brightness	300cd/m <sup>2</sup>		
Backlight	LED		
Touch Panel	4-wire precision resistance network		
Backlight life	50000 hr.		
Processor	800MHz RISC		
Memory	128MB Flash+64MB RAM	128MB Flash+64MB RAM	
Recipe memory & RTC	128KB+RTC	256KB+RTC	
Expandable memory	None		
Printer port	USB Slave/Serial port		
Ethernet	None	None	10/100M self-adaptive
Program download	USB Slave/Serial port	USB Slave/Serial port	USB Slave/Serial port/Ethernet port
COM port	COM0:RS232/RS485-2/4; COM2:RS232	COM0:RS232/RS485-2/4; COM1:RS232/RS485-2/4; COM2:RS232	
<b>Electrical specification</b>			
Power supply isolation	-		
Rated power	4W		
Rated voltage	DC24V		
Input range	DC12V~DC28V		
Power down allowed	<5ms		
Insulation resistance	Greater than 50MΩ@500VDC		
Dielectric strength test	500V AC 1 minute		
<b>Structure specification</b>			
Shell color	Black	Black	
Shell material	ABS	ABS	
Dimensions(mm)	204×150×52 mm	204×150×52 mm	
Cutout size(mm)	192×138 mm	192×138 mm	
Weight	0.75kg	0.85kg	
<b>Environment specification</b>			
Operating temperature	0~50°C		
Operating humidity	10~90%RH ( non-condensing )		
Storage temperature	-10~60°C		
Storage humidity	10~90%RH ( non-condensing )		
Shockproof test	10~25 Hz (X, Y, Z direction 2G/30 minutes)		
Cooling method	Natural air cooling		
<b>Certification</b>			
Degree of protection	IP65 (4208—93)		
CE certification	EN61000-6-2: 2005, EN61000-6-4: 2007		
FCC compatibility	Complies with FCC Class A		

# MT4000 Series Technical Specifications



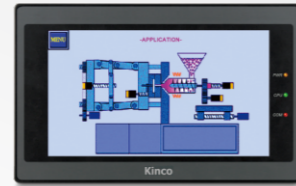
MT4434T/MT4434TE



MT4414T/MT4414TE/MT4414TE-CAN

Model	MT4434T	MT4434TE	MT4414T	MT4414TE*
<b>Performance specification</b>				
Display	7" TFT ( 16:9 )			
Resolution	800×480 pixels			
Color	65536 colors			
Brightness	250cd/m <sup>2</sup>		300cd/m <sup>2</sup>	
Backlight	LED		LED	
Touch Panel	4-wire precision resistance network		4-wire precision resistance network	
Backlight life	50000 hr.		50000 hr.	
Processor	800MHz RISC		800MHz RISC	
Memory	128MB Flash+64MB RAM		128MB Flash+64MB RAM	
Recipe memory & RTC	512KB+RTC		512KB+RTC	
Expandable memory	1USB Host(≤16G)		1USB Host(≤16G)	
Printer port	USB Host/Slave/Serial port		USB Host/Slave/Serial port	
Ethernet	None	10/100M self-adaptive	None	10/100M self-adaptive
Program download	USB/Serial port	USB/Serial port/Ethernet port	USB/Serial port	USB/Serial port/Ethernet port
COM port	COM0:RS232/RS485-2/4 ; COM2:RS232		COM0:RS232/RS485-2/4 ; COM2:RS232	
<b>Electrical specification</b>				
Power supply isolation	-		-	
Rated power	5W		4W	
Rated voltage	DC24V		DC24V	
Input range	DC12V~DC28V		DC12V~DC28V	
Power down allowed	<3ms		<3ms	
Insulation resistance	Greater than 50MΩ@500VDC		Greater than 50MΩ@500VDC	
Dielectric strength test	500V AC 1 minute		500V AC 1 minute	
<b>Structure specification</b>				
Shell color	Black		Black	
Shell material	ABS		ABS	
Dimensions(mm)	204×150×37 mm		204×150×37 mm	
Cutout size(mm)	192×138 mm		192×138 mm	
Weight	0.5Kg		0.75Kg	
<b>Environment specification</b>				
Operating temperature	0~50°C			
Operating humidity	10~90%RH ( non-condensing )			
Storage temperature	-10~60°C			
Storage humidity	10~90%RH ( non-condensing )			
Shockproof test	10~25 Hz (X, Y, Z direction 2G/30 minutes)			
Cooling method	Natural air cooling			
<b>Certification</b>				
Degree of protection	IP65 (4208—93)			
CE certification	EN61000-6-2: 2005, EN61000-6-4: 2007			
FCC compatibility	Complies with FCC Class A			

\* There is the CANbus port with type of MT4414TE-CAN.



MT4404T/MT4424TE



MT4403T/MT4403TE

Model	MT4404T	MT4424TE*	MT4403T	MT4403TE
<b>Performance specification</b>				
Display	7" TFT ( 16:9 )		8" TFT	
Resolution	800×480 pixels		800×600 pixels	
Color	65536 colors		65536 colors	
Brightness	300cd/m <sup>2</sup>		250cd/m <sup>2</sup>	
Backlight	LED		LED	
Touch Panel	4-wire precision resistance network		4-wire precision resistance network	
Backlight life	50000 hr.		50000 hr.	
Processor	800MHz RISC		800MHz RISC	
Memory	128MB Flash+64MB RAM		128MB Flash+64MB RAM	
Recipe memory & RTC	512KB+RTC		512KB+RTC	
Expandable memory	1USB Host(≤16G)	1USB Host(≤16G)+1 SD Card(≤32G)	None	
Printer port	USB Host/Slave/Serial port		USB Slave/Serial port	
Ethernet	None	10/100M self-adaptive	None	10/100M self-adaptive
Program download	USB/Serial port	USB Slave/Serial port/Ethernet port	USB/Serial port	USB Slave/Serial port/Ethernet port
COM port	COM0:RS232/RS485-2/4 ; COM1:RS232/RS485-2/4 ; COM2:RS232		COM0:RS232/RS485-2/4 ; COM1:RS232/RS485-2/4 ; COM2:RS232	
<b>Electrical specification</b>				
Power supply isolation	Built-in		Built-in	
Rated power	8W		8W	
Rated voltage	DC24V		DC24V	
Input range	DC21V ~ DC28V		DC21V ~ DC28V	
Power down allowed	<3ms		<3ms	
Insulation resistance	Greater than 50MΩ@500V DC		Greater than 50MΩ@500VDC	
Dielectric strength test	500 VAC 1 minute		500V AC 1 minute	
<b>Structure specification</b>				
Shell color	Black		Black	
Shell material	ABS		ABS	
Dimensions(mm)	207×125×46 mm		235×172×53 mm	
Cutout size(mm)	194×113 mm		224×161 mm	
Weight	0.8Kg		1.3Kg	
<b>Environment specification</b>				
Operating temperature	-10~55°C			
Operating humidity	10~90%RH ( non-condensing )			
Storage temperature	-20~60°C			
Storage humidity	10~90%RH ( non-condensing )			
Shockproof test	10~25 Hz (X, Y, Z direction 2G/30 minutes)			
Cooling method	Natural air cooling			
<b>Certification</b>				
Degree of protection	IP65 (4208—93)			
CE certification	EN61000-6-2: 2005, EN61000-6-4: 2007			
FCC compatibility	Complies with FCC Class A			

\* 1. Built-in serial port isolation in MT4424TE.  
2. MT4424TE UL Certification.



MT4532T/MT4532TE

Model	MT4532T	MT4532TE
<b>Performance specification</b>		
Display	10.1" TFT	
Resolution	1024×600 pixels	
Color	65536 colors	
Brightness	200 cd/m <sup>2</sup>	
Backlight	LED	
Touch Panel	4-wire precision resistance network	
Backlight life	50000 hr.	
Processor	800MHz RISC	
Memory	128MB Flash+64MB RAM	
Recipe memory & RTC	512KB+RTC	
Expandable memory	1 USB Host(≤16G)	
Printer port	USB Host/Slave/Serial port	
Ethernet	None	10/100M self-adaptive
Program download	USB/Serial port	USB/Serial port/Ethernet port
COM port	COM0:RS232/RS485-2/4 ; COM2:RS232	
<b>Electrical specification</b>		
Power supply isolation	-	
Rated power	6W	
Rated voltage	DC 24V	
Input range	DC 12 ~ 28V	
Power down allowed	<3ms	
Insulation resistance	Greater than 50MΩ@500VDC	
Dielectric strength test	500V AC 1 minute	
<b>Structure specification</b>		
Shell color	Black	
Shell material	ABS	
Dimensions(mm)	280×193×36 mm	
Cutout size(mm)	261×180 mm	
Weight	0.89 Kg	
<b>Environment specification</b>		
Operating temperature	0~50°C	
Operating humidity	10~90%RH ( non-condensing )	
Storage temperature	-10~60°C	
Storage humidity	10~90%RH ( non-condensing )	
Shockproof test	10~25 Hz (X, Y, Z direction 2G/30 minutes)	
Cooling method	Natural air cooling	
<b>Certification</b>		
Degree of protection	IP65 (4208—93)	
CE certification	EN61000-6-2: 2005, EN61000-6-4: 2007	
FCC compatibility	Complies with FCC Class A	



MT4512T/MT4512TE



MT4522T/MT4522TE

Model	MT4512T	MT4512TE	MT4522T	MT4522TE
<b>Performance specification</b>				
Display	10.1" TFT ( 16:9 )			
Resolution	800×480 pixels			
Color	65536 colors			
Brightness	320cd/m <sup>2</sup>			
Backlight	LED			
Touch Panel	4-wire precision resistance network			
Backlight life	50000 hr.			
Processor	800MHz RISC			
Memory	128MB Flash+64MB RAM			
Recipe memory & RTC	512KB+RTC			
Expandable memory	1 USB Host(≤16G)		1 USB Host(≤16G) + 1 SD Card(≤32G)	
Printer port	USB Host/Slave/Serial port		USB Host/Slave/Serial port	
Ethernet	None	10/100M self-adaptive	None	10/100M self-adaptive
Program download	USB/Serial port	USB/Serial port/Ethernet port	USB/Serial port	USB/Serial port/Ethernet port
COM port	COM0:RS232/RS485-2/4 ; COM2:RS232		COM0:RS232/RS485-2/4 ; COM1:RS232/RS485-2/4 ; COM2:RS232	
<b>Electrical specification</b>				
Power supply isolation	None		Built-in	
Rated power	8W		5.5W	
Rated voltage	DC24V		DC24V	
Input range	DC12V~DC28V		DC21V~DC28V	
Power down allowed	<5ms		<5ms	
Insulation resistance	Greater than 50MΩ@500VDC		Greater than 50MΩ@500VDC	
Dielectric strength test	500V AC 1 minute		500V AC 1 minute	
<b>Structure specification</b>				
Shell color	Black		Black	
Shell material	ABS		ABS	
Dimensions(mm)	310×230×58mm		310×230×55 mm	
Cutout size(mm)	298×218 mm		298×218 mm	
Weight	2Kg		1.47Kg	
<b>Environment specification</b>				
Operating temperature	0~50°C			
Operating humidity	10~90%RH ( non-condensing )			
Storage temperature	-10~60°C			
Storage humidity	10~90%RH ( non-condensing )			
Shockproof test	10~25 Hz (X, Y, Z direction 2G/30 minutes)			
Cooling method	Natural air cooling			
<b>Certification</b>				
Degree of protection	IP65 (4208—93)			
CE certification	EN61000-6-2: 2005, EN61000-6-4: 2007			
FCC compatibility	Complies with FCC Class A			



MT4513T/MT4513TE



MT4523T/MT4523TE

Model	MT4513T	MT4513TE	MT4523T*	MT4523TE*
<b>Performance specification</b>				
Display	10.4" TFT			
Resolution	800×600 pixels			
Color	65536 colors			
Brightness	300cd/m <sup>2</sup>			
Backlight	LED			
Touch Panel	4-wire precision resistance network			
Backlight life	50000 hr.			
Processor	800MHz RISC			
Memory	128MB Flash+64MB RAM			
Recipe memory & RTC	512KB+RTC			
Expandable memory	1 USB Host(≤16G)		1 USB Host(≤16G) + 1 SD Card(≤32G)	
Printer port	USB Host/Slave/Serial port		USB Host/Slave/Serial port	
Ethernet	None	10/100M self-adaptive	None	10/100M self-adaptive
Program download	USB/Serial port	USB/Serial port/Ethernet port	USB/Serial port	USB/Serial port/Ethernet port
COM port	COM0:RS232/RS485-2/4 ; COM2:RS232		COM0:RS232/RS485-2/4 ; COM1:RS232/RS485-2/4 ; COM2:RS232	
<b>Electrical specification</b>				
Power supply isolation	None		Built-in	
Rated power	8W		12W	
Rated voltage	DC24V		DC24V	
Input range	DC10V~DC28V		DC21V~DC28V	
Power down allowed	<5ms		<5ms	
Insulation resistance	Greater than 50MΩ@500VDC		Greater than 50MΩ@500VDC	
Dielectric strength test	500V AC 1 minute		500V AC 1 minute	
<b>Structure specification</b>				
Shell color	Dark gray		Black	
Shell material	PC+ABS		ABS	
Dimensions(mm)	310×230×55 mm			
Cutout size(mm)	298×218 mm			
Weight	2kg			
<b>Environment specification</b>				
Operating temperature	0~50°C			
Operating humidity	10~90%RH ( non-condensing )			
Storage temperature	-10~60°C			
Storage humidity	10~90%RH ( non-condensing )			
Shockproof test	10~25 Hz (X, Y, Z direction 2G/30 minutes)			
Cooling method	Natural air cooling			
<b>Certification</b>				
Degree of protection	IP65 (4208—93)			
CE certification	EN61000-6-2: 2005, EN61000-6-4: 2007			
FCC compatibility	Complies with FCC Class A			

\* Built-in serial port isolation in MT4523T & MT4523TE.



MT4620TE

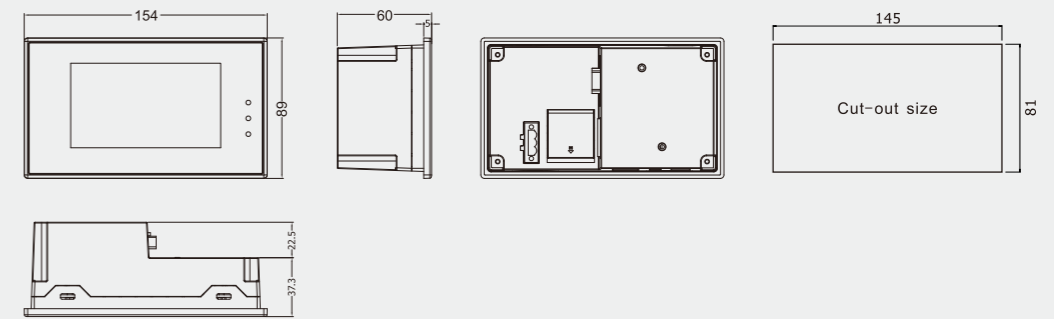


MT4720TE

Model	MT4620TE	MT4720TE
<b>Performance specification</b>		
Display	12.1" TFT	15" TFT
Resolution	800×600 pixels	1024×768 pixels
Color	65536 colors	65536 colors
Brightness	450cd/m <sup>2</sup>	420cd/m <sup>2</sup>
Backlight	LED	LED
Touch Panel	4-wire precision resistance network	4-wire precision resistance network
Backlight life	50000 hr.	50000 hr.
Processor	800MHz RISC	800MHz RISC
Memory	128MB Flash+64MB RAM	128MB Flash+64MB RAM
Recipe memory & RTC	128KB+RTC	512KB+RTC
Expandable memory	1USB Host(≤16G)+1SD Card(≤32G)	1USB Host(≤16G)+1SD Card(≤32G)
Printer port	USB Host/Slave/Serial port	USB Host/Slave/Serial port
Ethernet	10/100M self-adaptive	10/100M self-adaptive
Program download	USB/Serial port/Ethernet port	USB/Serial port/Ethernet port
COM port	COM0:RS232/RS485-2/4 ; COM1:RS232/RS485-2/4 ; COM2:RS232	COM0:RS232/RS485-2/4 ; COM1:RS232/RS485-2/4 ; COM2:RS232
<b>Electrical specification</b>		
Power supply isolation	Built-in	Built-in
Rated power	10W	13W
Rated voltage	DC24V	DC24V
Input range	DC21V~DC28V	DC21V~DC28V
Power down allowed	<3ms	<3ms
Insulation resistance	Greater than 50MΩ@500VDC	Greater than 50MΩ@500VDC
Dielectric strength test	500V AC 1 minute	500V AC 1 minute
<b>Structure specification</b>		
Shell color	Cool gray	Silver
Shell material	PC plastic	Aluminium alloy
Dimensions(mm)	350×260×54 mm	406.5×313.5×56.8 mm
Cutout size(mm)	340×250 mm	388×295 mm
Weight	2.2kg	4.5Kg
<b>Environment specification</b>		
Operating temperature	-10~55°C	-10~60°C
Operating humidity	10~90%RH ( non-condensing )	10~90%RH ( non-condensing )
Storage temperature	-20~60°C	-20~70°C
Storage humidity	10~90%RH ( non-condensing )	
Shockproof test	10~25 Hz (X、Y、Z direction 2G/30 minutes)	
Cooling method	Natural air cooling	
<b>Certification</b>		
Degree of protection	IP65 (4208—93)	
CE certification	EN61000-6-2: 2005, EN61000-6-4: 2007	
FCC compatibility	Complies with FCC Class A	

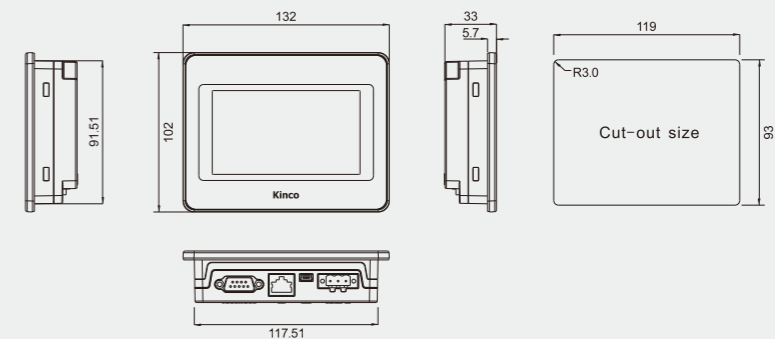
4.3" (16:9)

MT4210T  
MT4220TE



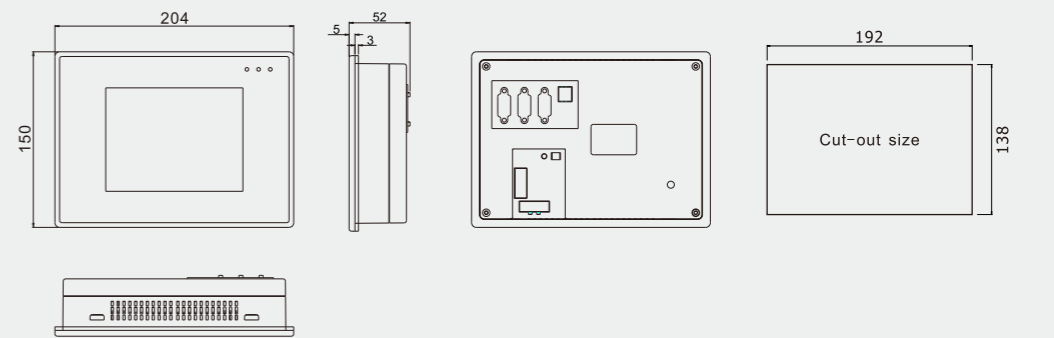
4.3" (16:9)

MT4230T



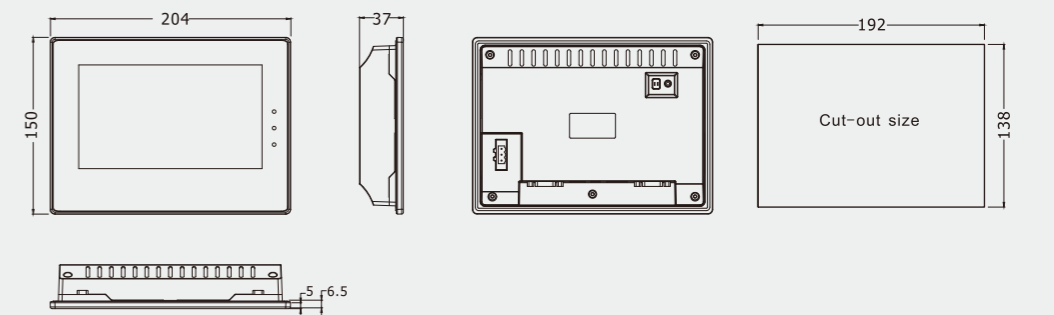
5.6"

MT4300C  
MT4300CE  
MT4310C



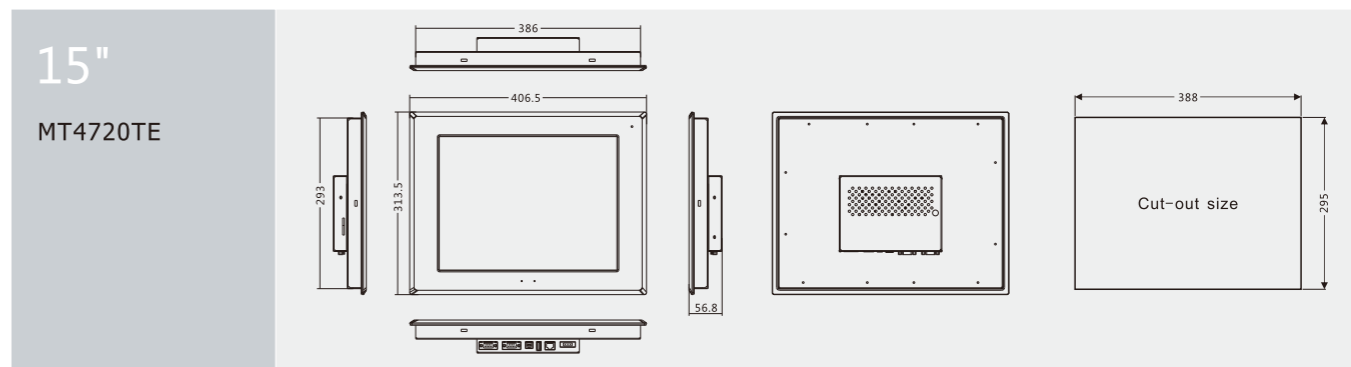
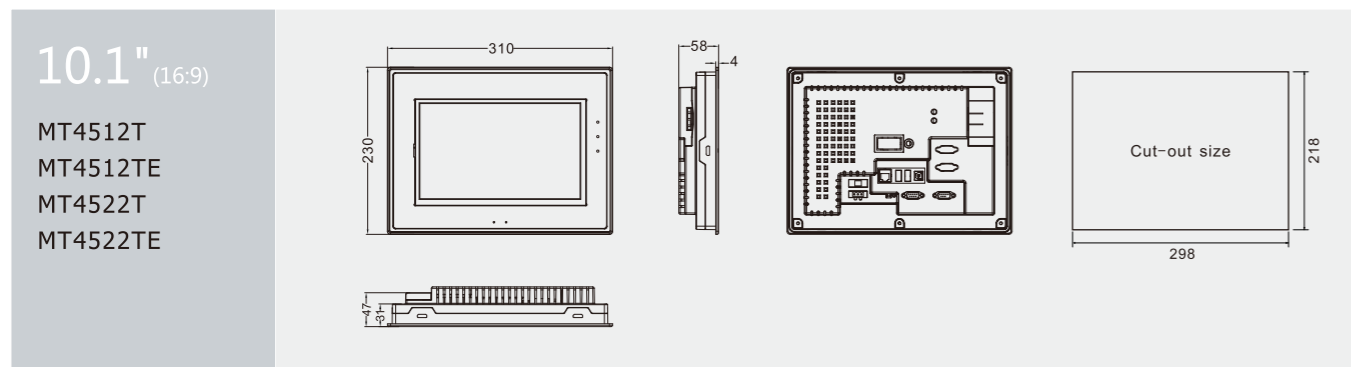
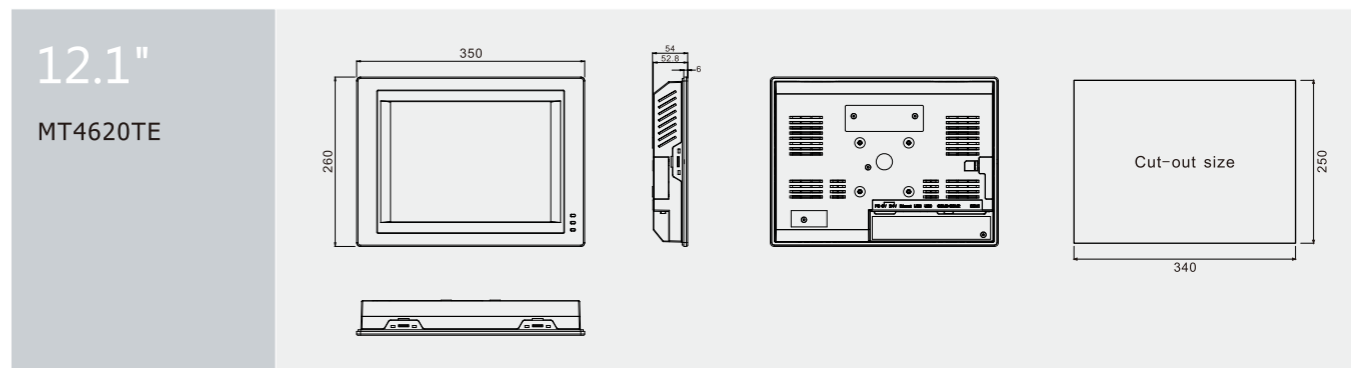
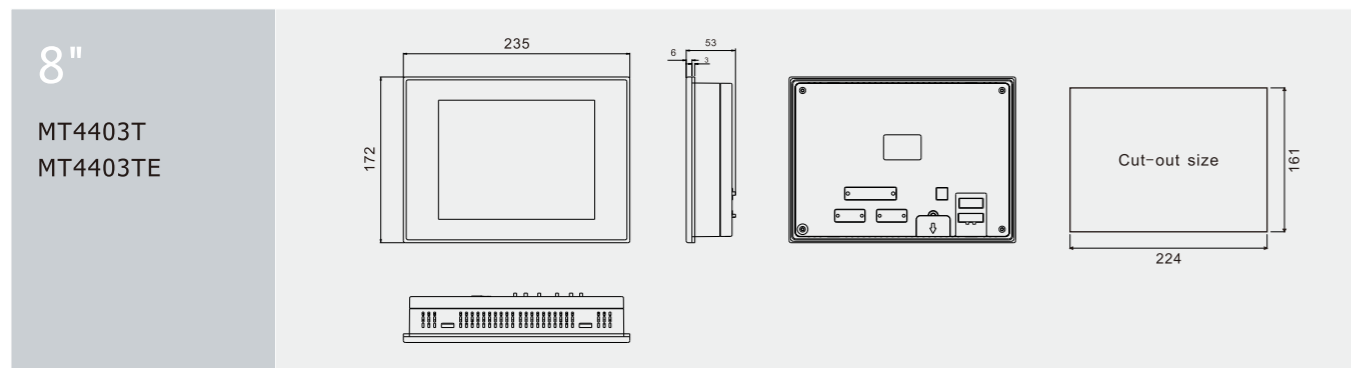
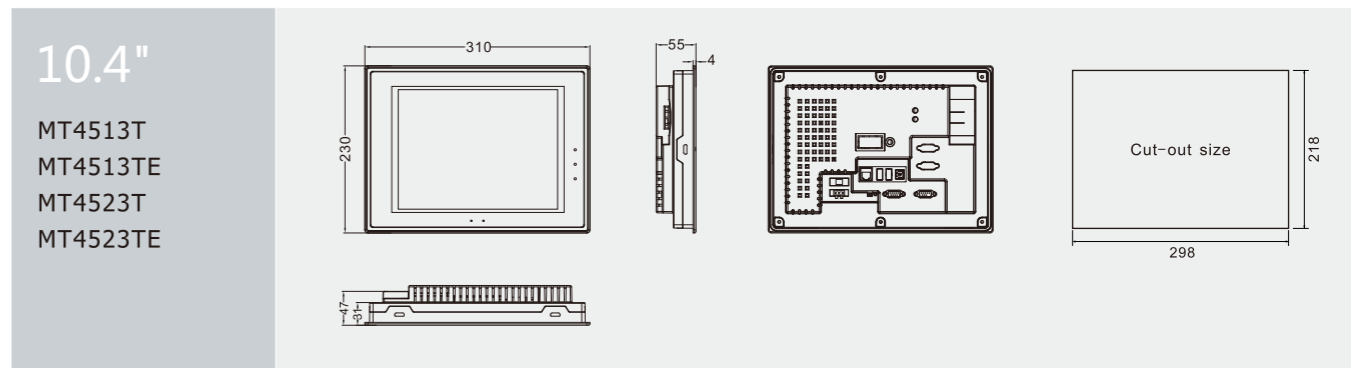
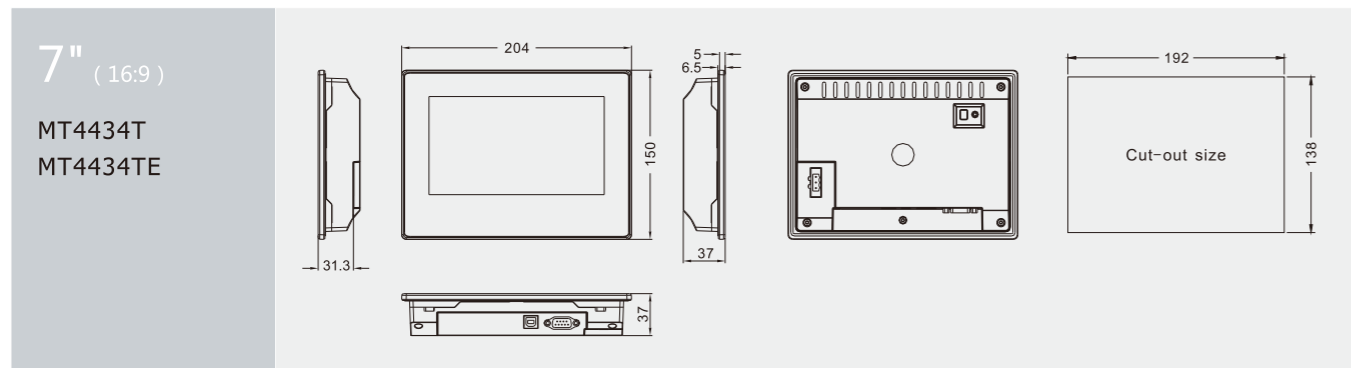
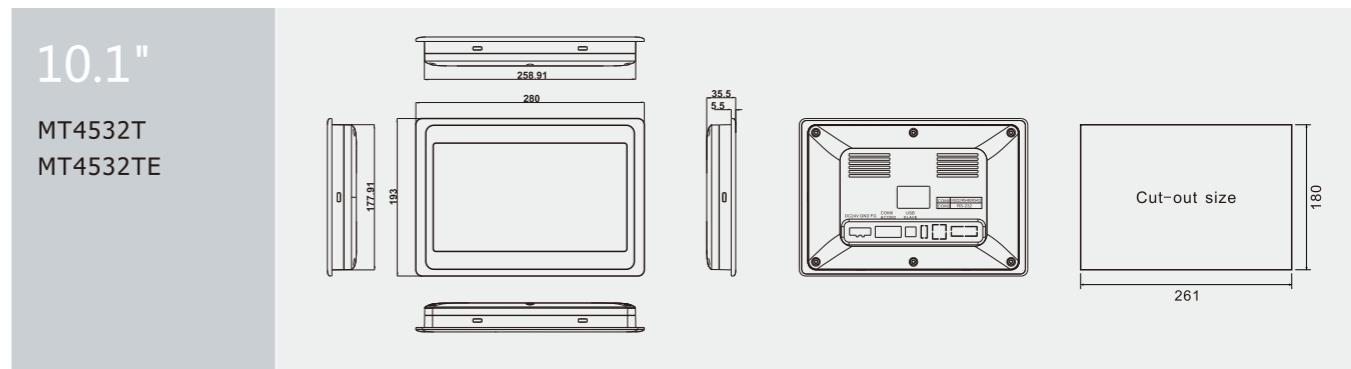
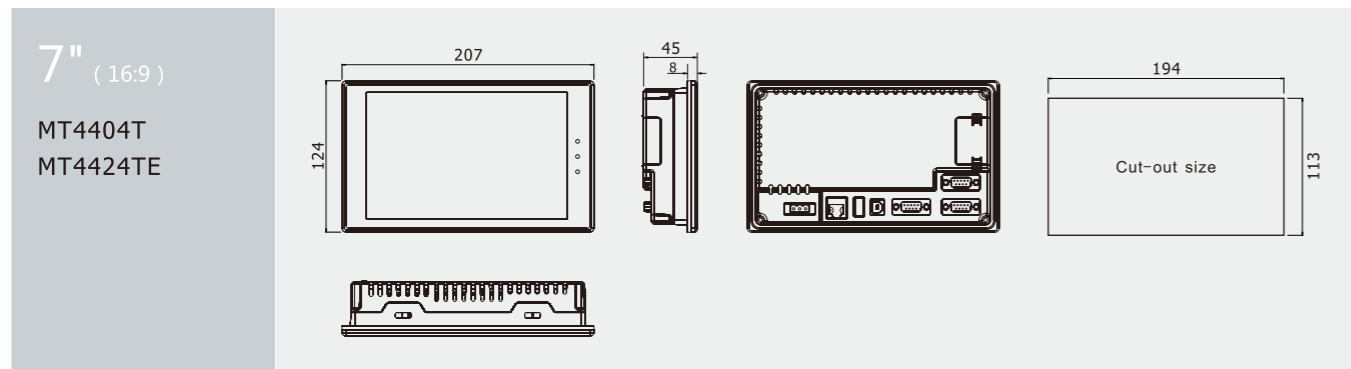
7" (16:9)

MT4414T  
MT4414TE  
MT4414TE-CAN



# MT4000 Series Dimensions (Unit : mm)

# MT4000 Series Dimensions (Unit : mm)

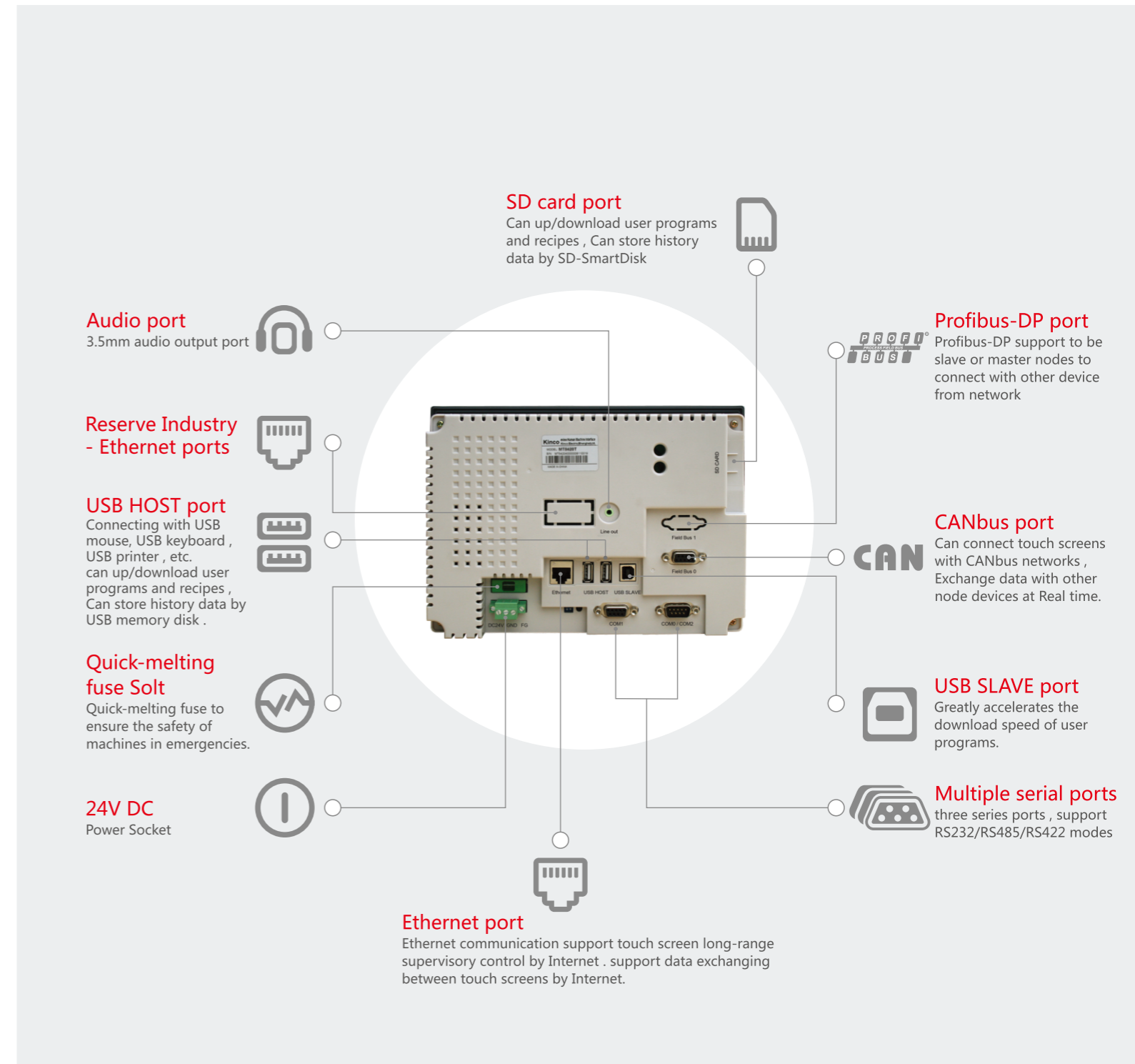
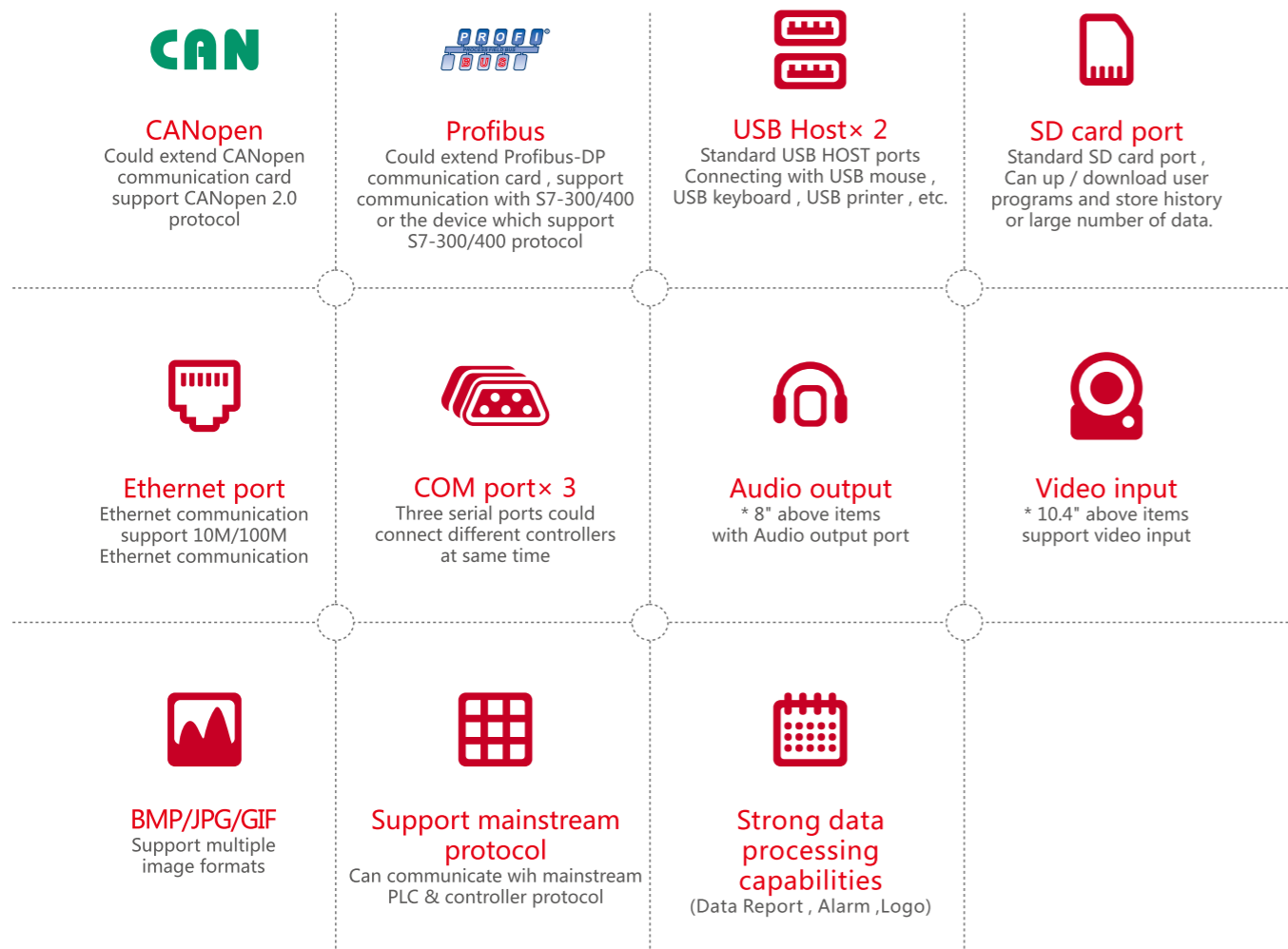






## MT5000 Series Focus on Field Bus application

MT5000 series HMI use INTEL 520MHz RISC CPU and LINUX operating system, have the easy learning configuration software, maintain the classic HMI design. It supports USB HOST function and SD card, and could manage data and preserve parameters online, you can quickly up/download user programs, and integrate the audio output; MT5000 series HMI integrate industry Ethernet and Field bus interface, could be linked with other screens in eView protocol, could communicate with other controllers via Ethernet interface in MODBUS TCP/IP protocol, could exchange data with controller via OPC software, could extend CANopen communication card and Profibus-DP communication card, connecting to the field bus network.





Model	MT5320C	MT5320C-DP	MT5320C-CAN	MT5320C-MPI
<b>Performance specification</b>				
Display	5.6" TFT			
Resolution	320×234 pixels			
Color	65536 colors			
Brightness	300cd/m <sup>2</sup>			
Backlight	LED			
Touch Panel	4-wire precision resistance network			
Backlight life	50000 hr.			
Processor	32-bit 520MHz RISC			
Memory	16MB Flash + 32MB RAM			
Recipe memory & RTC	512KB+RTC			
Expandable memory	1*SD card(≤2GB) , 2*U disk			
Printer port	USB/Serial port			
Ethernet	1*10M/100M self-adaptive			
Audio output	None			
Program download	1*USB SLAVE port			
COM port	COM0:RS232/RS485-2/4 ; COM1:RS232/RS485-2/4 ; COM2:RS232			
Extended interface	None	Profibus-DP	CANopen	MPI
Connector of Extended interface	None	9 pin female	9 pin male	9 pin female
<b>Electrical specification</b>				
Rated power	7.2W			
Rated voltage	DC24V			
Input range	21~28VDC			
Power down allowed	<3ms			
Insulation resistance	Greater than 50MΩ@500VDC			
Dielectric strength test	500V AC 1 minute			
<b>Structure specification</b>				
Shell color	Light gray			
Shell material	ABS			
Dimensions(mm)	204×150×56.7 mm			
Cutout size(mm)	192×138 mm			
Weight	0.96kg			
<b>Environment specification</b>				
Operating temperature	0~50°C			
Operating humidity	10~90%RH ( non-condensing )			
Storage temperature	-10~60°C			
Storage humidity	10~90%RH ( non-condensing )			
Shockproof test	10~25 Hz (X、Y、Z direction 2G/30 minutes)			
Cooling method	Natural air cooling			
<b>Certification</b>				
Degree of protection	IP65 (4208—93)			
CE certification	EN61000-6-2: 2005, EN61000-6-4: 2007			
FCC compatibility	Complies with FCC Class A			



Model	MT5323T	MT5323T-DP	MT5323T-CAN	MT5323T-MPI
<b>Performance specification</b>				
Display	5.7" TFT			
Resolution	640×480 pixels			
Color	65536 colors			
Brightness	700cd/m <sup>2</sup>			
Backlight	LED			
Touch Panel	4-wire precision resistance network			
Backlight life	50000 hr.			
Processor	32-bit 520MHz RISC			
Memory	16MB Flash + 32MB RAM			
Recipe memory & RTC	512KB+RTC			
Expandable memory	1*SD card(≤2GB) , 2*U disk			
Printer port	USB/Serial port			
Ethernet	1*10M/100M self-adaptive			
Audio output	None			
Program download	1*USB SLAVE port			
COM port	COM0:RS232/RS485-2/4 ; COM1:RS232/RS485-2/4 ; COM2:RS232			
Extended interface	None	Profibus-DP	CANopen	MPI
Connector of Extended interface	None	9 pin female	9 pin male	9 pin female
<b>Electrical specification</b>				
Rated power	10W			
Rated voltage	DC24V			
Input range	12~28VDC			
Power down allowed	<3ms			
Insulation resistance	Greater than 50MΩ@500VDC			
Dielectric strength test	500V AC 1 minute			
<b>Structure specification</b>				
Shell color	Light gray			
Shell material	ABS			
Dimensions(mm)	204×150×56.7 mm			
Cutout size(mm)	192×138 mm			
Weight	0.96kg			
<b>Environment specification</b>				
Operating temperature	-20~70°C			
Operating humidity	10~90%RH ( non-condensing )			
Storage temperature	-30~80°C			
Storage humidity	10~90%RH ( non-condensing )			
Shockproof test	10~25 Hz (X、Y、Z direction 2G/30 minutes)			
Cooling method	Natural air cooling			
<b>Certification</b>				
Degree of protection	IP65 (4208—93)			
CE certification	EN61000-6-2: 2005, EN61000-6-4: 2007			
FCC compatibility	Complies with FCC Class A			



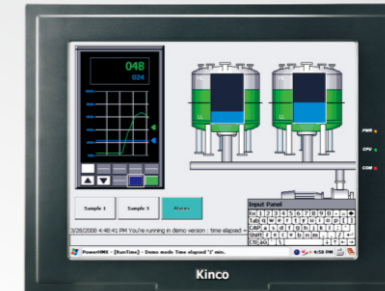
Model	MT5423T	MT5423T-DP	MT5423T-CAN	MT5423T-MPI
<b>Performance specification</b>				
Display	8" TFT			
Resolution	800×600 pixels			
Color	65536 colors			
Brightness	300cd/m <sup>2</sup>			
Backlight	LED			
Touch Panel	4-wire precision resistance network			
Backlight life	50000 hr.			
Processor	32-bit 520MHz RISC			
Memory	16MB Flash + 32MB RAM			
Recipe memory & RTC	512KB+RTC			
Expandable memory	1*SD card(≤2GB) , 2*U disk			
Printer port	USB/Serial port			
Ethernet	1*10M/100M self-adaptive			
Audio output	None			
Program download	1*USB SLAVE port			
COM port	COM0:RS232/RS485-2/4 ; COM1:RS232/RS485-2/4 ; COM2:RS232			
Extended interface	None	Profibus-DP	CANopen	MPI
Connector of Extended interface	None	9 pin female	9 pin male	9 pin female
<b>Electrical specification</b>				
Rated power	8W			
Rated voltage	DC24V			
Input range	12~28VDC			
Power down allowed	<3ms			
Insulation resistance	Greater than 50MΩ@500VDC			
Dielectric strength test	500V AC 1 minute			
<b>Structure specification</b>				
Shell color	Light gray			
Shell material	ABS			
Dimensions(mm)	235×172×57.9mm			
Cutout size(mm)	224×161mm			
Weight	1.27kg			
<b>Environment specification</b>				
Operating temperature	-10~55°C			
Operating humidity	10~90%RH ( non-condensing )			
Storage temperature	-20~60°C			
Storage humidity	10~90%RH ( non-condensing )			
Shockproof test	10~25 Hz (X, Y, Z direction 2G/30 minutes)			
Cooling method	Natural air cooling			
<b>Certification</b>				
Degree of protection	IP65 (4208—93)			
CE certification	EN61000-6-2: 2005, EN61000-6-4: 2007			
FCC compatibility	Complies with FCC Class A			



Model	MT5520T	MT5520T-DP	MT5520T-CAN	MT5520T-MPI
<b>Performance specification</b>				
Display	10.4" TFT			
Resolution	640×480 pixels			
Color	65536 colors			
Brightness	400cd/m <sup>2</sup>			
Backlight	LED			
Touch Panel	4-wire precision resistance network			
Backlight life	50000 hr.			
Processor	32-bit 520MHz RISC			
Memory	16MB Flash + 32MB RAM			
Recipe memory & RTC	512KB+RTC			
Expandable memory	1*SD card(≤2GB) , 2*U disk			
Printer port	USB/Serial port			
Ethernet	1*10M/100M self-adaptive			
Audio output	None			
Program download	1*USB SLAVE port			
COM port	COM0:RS232/RS485-2/4 ; COM1:RS232/RS485-2/4 ; COM2:RS232			
Extended interface	None	Profibus-DP	CANopen	MPI
Connector of Extended interface	None	9 pin female	9 pin male	9 pin female
<b>Electrical specification</b>				
Rated power	12W			
Rated voltage	DC24V			
Input range	21~28VDC			
Power down allowed	<3ms			
Insulation resistance	Greater than 50MΩ@500VDC			
Dielectric strength test	500V AC 1 minute			
<b>Structure specification</b>				
Shell color	Light gray			
Shell material	ABS			
Dimensions(mm)	310.6×230.6×55.7mm			
Cutout size(mm)	298×218mm			
Weight	2kg			
<b>Environment specification</b>				
Operating temperature	-10~55°C			
Operating humidity	10~90%RH ( non-condensing )			
Storage temperature	-20~60°C			
Storage humidity	10~90%RH ( non-condensing )			
Shockproof test	10~25 Hz (X, Y, Z direction 2G/30 minutes)			
Cooling method	Natural air cooling			
<b>Certification</b>				
Degree of protection	IP65 (4208—93)			
CE certification	EN61000-6-2: 2005, EN61000-6-4: 2007			
FCC compatibility	Complies with FCC Class A			

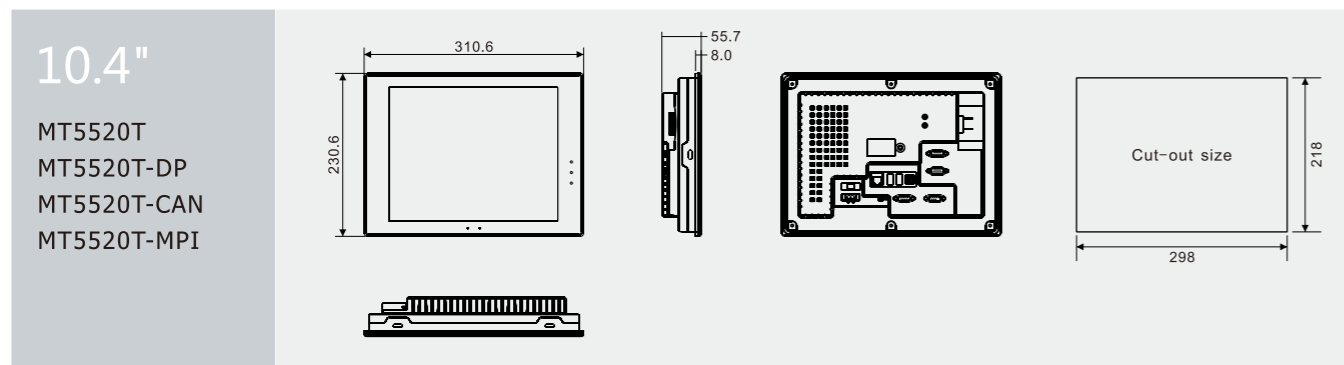
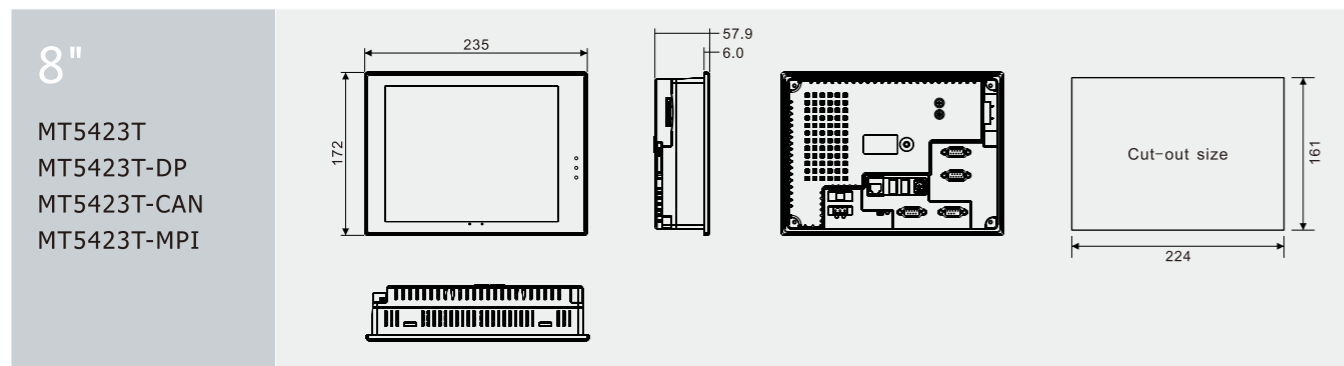
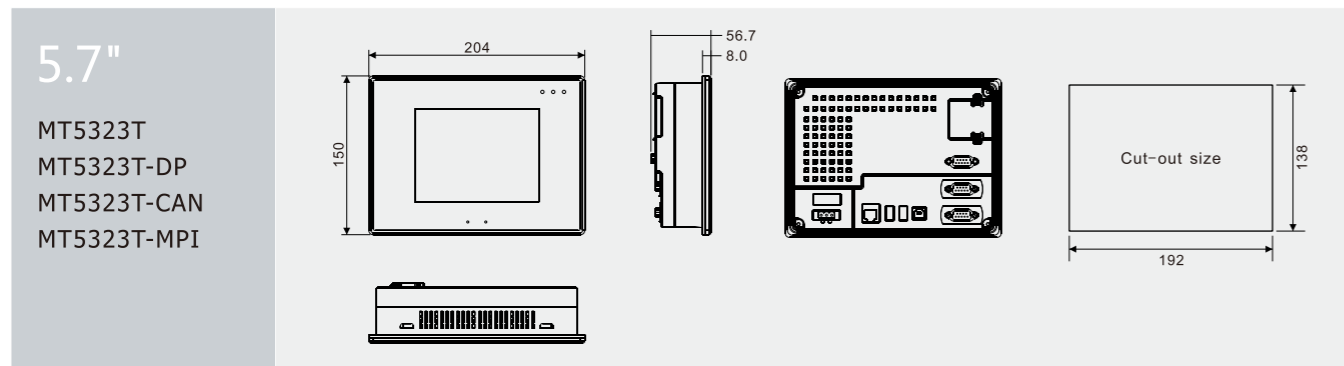
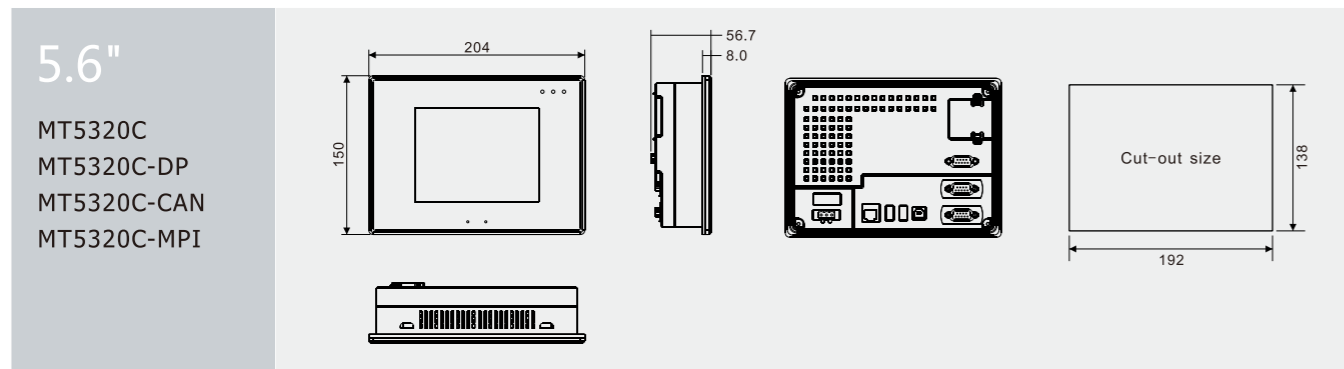


Model	MT5620T	MT5620T-DP	MT5620T-CAN	MT5620T-MPI
<b>Performance specification</b>				
Display	12.1" TFT			
Resolution	800×600 pixels			
Color	65536 colors			
Brightness	250cd/m <sup>2</sup>			
Backlight	LED			
Touch Panel	4-wire precision resistance network			
Backlight life	50000 hr.			
Processor	32-bit 520MHz RISC			
Memory	16MB Flash + 32MB RAM			
Recipe memory & RTC	512KB+RTC			
Expandable memory	1*SD card(≤2GB) , 2*U disk			
Printer port	USB/Serial port			
Ethernet	1*10M/100M self-adaptive			
Audio output	1*Audio output interface			
Video input	2 PAL signal video input interface, BNC connector			
Program download	1*USB SLAVE port			
COM port	COM0:RS232/RS485-2/4 ; COM1:RS232/RS485-2/4 ; COM2:RS232 ( Built-in isolation )			
Extended interface	None	Profibus-DP	CANopen	MPI
Connector of Extended interface	None	9 pin female	9 pin male	9 pin female
<b>Electrical specification</b>				
Power supply isolation	Built-in			
Rated power	15.6W			
Rated voltage	DC24V			
Input range	21~28VDC			
Power down allowed	<3ms			
Insulation resistance	Greater than 50MΩ@500VDC			
Dielectric strength test	500V AC 1 minute			
<b>Structure specification</b>				
Shell color	Black			
Shell material	Metal			
Dimensions(mm)	350×264×48.7 mm			
Cutout size(mm)	327×241 mm			
Weight	3.5kg			
<b>Environment specification</b>				
Operating temperature	-10~60°C			
Operating humidity	10~90%RH ( non-condensing )			
Storage temperature	-20~70°C			
Storage humidity	10~90%RH ( non-condensing )			
Shockproof test	10~25 Hz (X、Y、Z direction 2G/30 minutes)			
Cooling method	Natural air cooling			
<b>Certification</b>				
Degree of protection	IP65 (4208—93)			
CE certification	EN61000-6-2: 2005, EN61000-6-4: 2007			
FCC compatibility	Complies with FCC Class A			

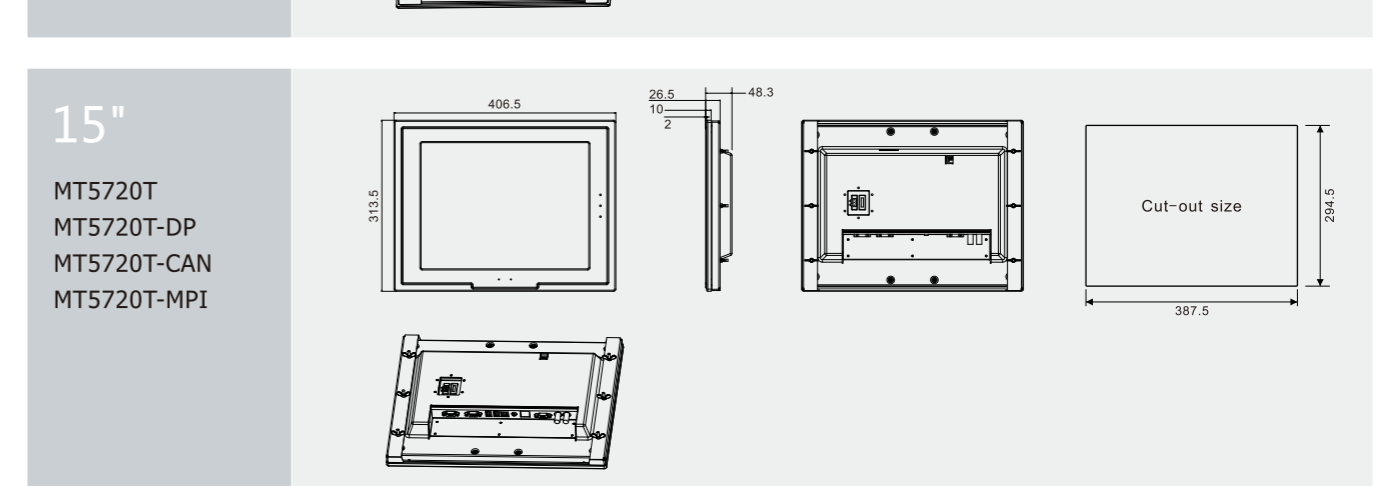
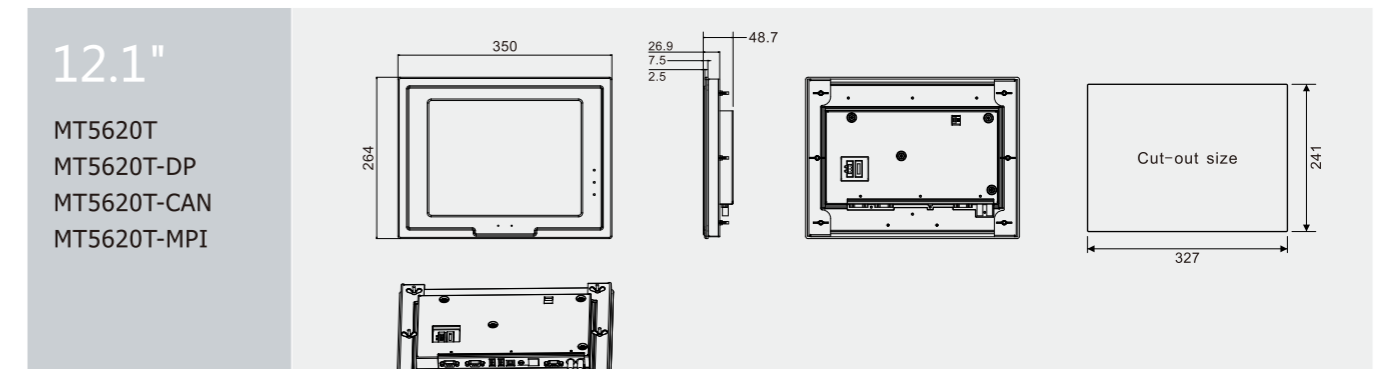


Model	MT5720T	MT5720T-DP	MT5720T-CAN	MT5720T-MPI
<b>Performance specification</b>				
Display	15" TFT			
Resolution	1024×768 pixels			
Color	65536 colors			
Brightness	250cd/m <sup>2</sup>			
Backlight	LED			
Touch Panel	4-wire precision resistance network			
Backlight life	50000 hr.			
Processor	32-bit 520MHz RISC			
Memory	16MB Flash + 32MB RAM			
Recipe memory & RTC	512KB+RTC			
Expandable memory	1*SD card(≤2GB) , 2*U disk			
Printer port	USB/Serial port			
Ethernet	1*10M/100M self-adaptive			
Audio output	1*Audio output interface			
Video input	2 PAL signal video input interface, BNC connector			
Program download	1*USB SLAVE port			
COM port	COM0:RS232/RS485-2/4 ; COM1:RS232/RS485-2/4 ; COM2:RS232 ( Built-in isolation )			
Extended interface	None	Profibus-DP	CANopen	MPI
Connector of Extended interface	None	9 pin female	9 pin male	9 pin female
<b>Electrical specification</b>				
Power supply isolation	Built-in			
Rated power	16.8W			
Rated voltage	DC24V			
Input range	21~28VDC			
Power down allowed	<3ms			
Insulation resistance	Greater than 50MΩ@500VDC			
Dielectric strength test	500V AC 1 minute			
<b>Structure specification</b>				
Shell color	Black			
Shell material	Metal			
Dimensions(mm)	406.5×313.5×48.3 mm			
Cutout size(mm)	387.5×294.5 mm			
Weight	5.1kg			
<b>Environment specification</b>				
Operating temperature	-10~60°C			
Operating humidity	10~90%RH ( non-condensing )			
Storage temperature	-20~70°C			
Storage humidity	10~90%RH ( non-condensing )			
Shockproof test	10~25 Hz (X、Y、Z direction 2G/30 minutes)			
Cooling method	Natural air cooling			
<b>Certification</b>				
Degree of protection	IP65 (4208—93)			
CE certification	EN61000-6-2: 2005, EN61000-6-4: 2007			
FCC compatibility	Complies with FCC Class A			

# MT5000 Series Dimensions (Unit : mm)



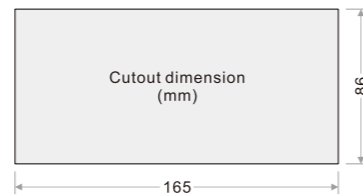
# MT5000 Series Dimensions (Unit : mm)



## MT5000 with PLC communication cable list

Communication cable model	Description	Color	Length	HMI port type	PLC port type
MT54-FX2N-MALE	MT4000/MT5000 with Mitsubishi FX2N series communication cable	Black	3 m	9 pin D type-Male	8 pin cycle-Male
MT54-FX2N-FEMALE	MT4000/MT5000 with Mitsubishi FX2N series communication cable	Black	3 m	9 pin D type-Female	8 pin cycle-Male
MT54-Q-MALE	MT4000/MT5000 with Mitsubishi Q series communication cable	Black	3 m	9 pin D type-Male	6 pin cycle-Male
MT54-Q-FEMALE	MT4000/MT5000 with Mitsubishi Q series communication cable	Black	3 m	9 pin D type-Female	6 pin cycle-Male
MT54-FP-MALE	MT4000/MT5000 with Panasonic FP series communication cable	Black	3 m	9 pin D type-Male	5 pin cycle-Male
MT54-FP-FEMALE	MT4000/MT5000 with Panasonic FP series communication cable	Black	3 m	9 pin D type-Female	5 pin cycle-Male
MT54-CQM-MALE	MT4000/MT5000 with Omron PLC communication cable	Black	3 m	9 pin D type-Male	9 pin D type-Male
MT54-CQM-FEMALE	MT4000/MT5000 with Omron PLC communication cable	Black	3 m	9 pin D type-Female	9 pin D type-Male
MT54-S7-200-MALE	MT4000/MT5000 with Siemens S7-200 series communication cable	Black	3 m	9 pin D type-Male	9 pin D type-Male
MT54-S7-200-FEMALE	MT4000/MT5000 with Siemens S7-200 series communication cable	Black	3 m	9 pin D type-Female	9 pin D type-Male
MT54-KC-MALE	MT4000/MT5000 with Kinco PLC communication cable	Black	3 m	9 pin D type-Male	9 pin D type-Male
MT54-KC-FEMALE	MT4000/MT5000 with Kinco PLC communication cable	Black	3 m	9 pin D type-Female	9 pin D type-Male
MT5-S7-300	MT4000/MT5000 with S7-300/S7-400 communication cable	Black	3 m	9 pin D type-Female	9 pin D type-Male

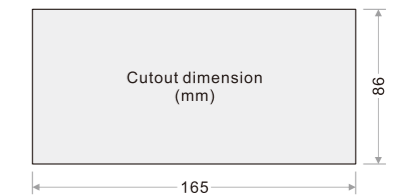
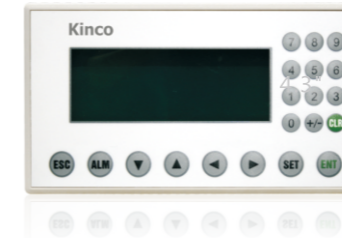
## MD204L



Shell color	Grey
Display	4.3" STN
Resolution	192×64 Pixel (Supporting display of 4lines 12 Chinese characters)
Color	Monochromatic
Brightness	60cd/m <sup>2</sup>
Contrast	Adjustable by Potentiometer
Backlight	Long Service life Yellow/Green LED
LCM life time	Greater than 50,000 Hours at 25±2°C, 65±10%RH
Panel	Non-touch screen
CPU	8-bit processor
Memory	64KB Flash ROM
Recipe memory	None
RTC	None
Function key	20 keys, customizable (Including 10 Numeric Input Keys)
COM port	COM0:PC RS232&PLC RS485/422&PLC RS232
CE	EN61000-6-2:2005, EN61000-6-4:2007

Power supply	21~28VDC
Current	MAX 150mA@24V DC
Interference immunity test	Voltage 1500Vp-p, Pulse cycle 1μs, duration 1μs
Dielectric strength	500V AC (1min)
Isolation resistance	Exceed 10MΩ at 500V DC
Vibration endurance	10~25Hz (X, Y, Z Direction, 2G, 30 minutes)
Protection class	IP65 Front Panel
Operating temperature	0~50°C
Storage temperature	-20~70°C
Operating humidity	20~90%RH (non-condensing)
Shell material	Engineering plastic ABS+PC
Dimensions(W×H×D)	172×95×30 mm
Display size(W×H)	101×36 mm
Panel cutout dimension	165×86 mm
Cooling method	Natural air cooling
Weight	0.3 kg

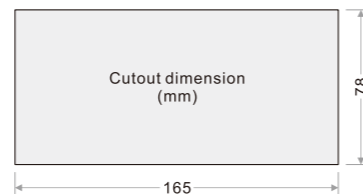
## MD224L



Shell color	Silver white
Display	4.3" STN
Resolution	192×64 Pixel (Supporting display of 4lines 12 Chinese characters)
Color	Monochromatic
Brightness	60cd/m <sup>2</sup>
Contrast	Adjustable by Potentiometer
Backlight	Long Service life Yellow/Green LED
LCM life time	Greater than 50,000 Hours at 25±2°C, 65±10%RH
Panel	Non-touch screen
CPU	8-bit processor
Memory	64KB Flash ROM
Recipe memory	None
RTC	None
Function key	20 keys, customizable (Including 10 Numeric Input Keys)
COM port	COM0:PC RS232&PLC RS485/422&PLC RS232
CE	EN61000-6-2:2005, EN61000-6-4:2007

Power supply	21~28VDC
Current	MAX 150mA@24V DC
Interference immunity test	Voltage 1500Vp-p, Pulse cycle 1μs, duration 1μs
Dielectric strength	500V AC (1min)
Isolation resistance	Exceed 10MΩ at 500V DC
Vibration endurance	10~25Hz (X, Y, Z Direction, 2G, 30 minutes)
Protection class	IP65 Front Panel
Operating temperature	0~50°C
Storage temperature	-20~70°C
Operating humidity	20~90%RH (non-condensing)
Shell material	Engineering plastic ABS+PC
Dimensions(W×H×D)	172×95×30 mm
Display size(W×H)	101×36 mm
Panel cutout dimension	165×86 mm
Cooling method	Natural air cooling
Weight	0.3 kg

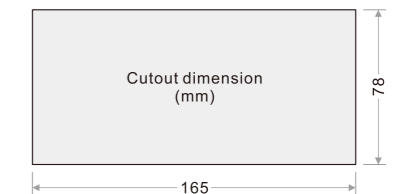
## MD214L



Shell color	Silver white
Display	4.3" FSTN
Resolution	192×64 Pixel (Supporting display of 4lines 12 Chinese characters)
Color	Monochromatic
Brightness	97cd/m <sup>2</sup>
Contrast	Adjustable by Potentiometer
Backlight	White LED
LCM life time	Greater than 50,000 Hours at 25±2°C, 65±10%RH
Panel	Non-touch screen
CPU	8-bit processor
Memory	64KB Flash ROM
Recipe memory	None
RTC	None
Function key	19 keys, customizable (Including 10 Numeric Input Keys)
COM port	COM0:PC RS232&PLC RS485/422&PLC RS232
CE	EN61000-6-2:2005, EN61000-6-4:2007

Power supply	21~28VDC
Current	MAX 150mA@24V DC
Interference immunity test	Voltage 1500Vp-p, Pulse cycle 1μs, duration 1μs
Dielectric strength	500V AC (1min)
Isolation resistance	Exceed 10MΩ at 500V DC
Vibration endurance	10~25Hz (X, Y, Z Direction, 2G, 30 minutes)
Protection class	IP65 Front Panel
Operating temperature	0~50°C
Storage temperature	-20~70°C
Operating humidity	20~90%RH (non-condensing)
Shell material	Engineering plastic ABS+PC
Dimensions(W×H×D)	175×90×26 mm
Display size(W×H)	101×36 mm
Panel cutout dimension	165×78 mm
Cooling method	Natural air cooling
Weight	0.3 kg

## MD304L



Shell color	Silver white
Display	4.3" FSTN
Resolution	192×64 Pixel (Supporting display of 4lines 12 Chinese characters)
Color	Monochromatic
Brightness	97cd/m <sup>2</sup>
Contrast	Adjustable by Potentiometer
Backlight	White LED
LCM life time	Greater than 50,000 Hours at 25±2°C, 65±10%RH
Panel	Non-touch screen
CPU	8-bit processor
Memory	64KB Flash ROM
Recipe memory	2KB EEPROM
RTC	Accuracy 30PPM
Function key	19 keys, customizable (Including 10 Numeric Input Keys)
COM port	COM0:PC RS232&PLC RS485/422&PLC RS232
CE	EN61000-6-2:2005, EN61000-6-4:2007

Power supply	21~28VDC
Current	MAX 150mA@24V DC
Interference immunity test	Voltage 1500Vp-p, Pulse cycle 1μs, duration 1μs
Dielectric strength	500V AC (1min)
Isolation resistance	Exceed 10MΩ at 500V DC
Vibration endurance	10~25Hz (X, Y, Z Direction, 2G, 30 minutes)
Protection class	IP65 Front Panel
Operating temperature	0~50°C
Storage temperature	-20~70°C
Operating humidity	20~90%RH (non-condensing)
Shell material	Engineering plastic ABS+PC
Dimensions(W×H×D)	175×90×26 mm
Display size(W×H)	101×36 mm
Panel cutout dimension	165×78 mm
Cooling method	Natural air cooling
Weight	0.3 kg



Design for severe environment only

# Customized HMI

Whole body IP65 water-proof protection



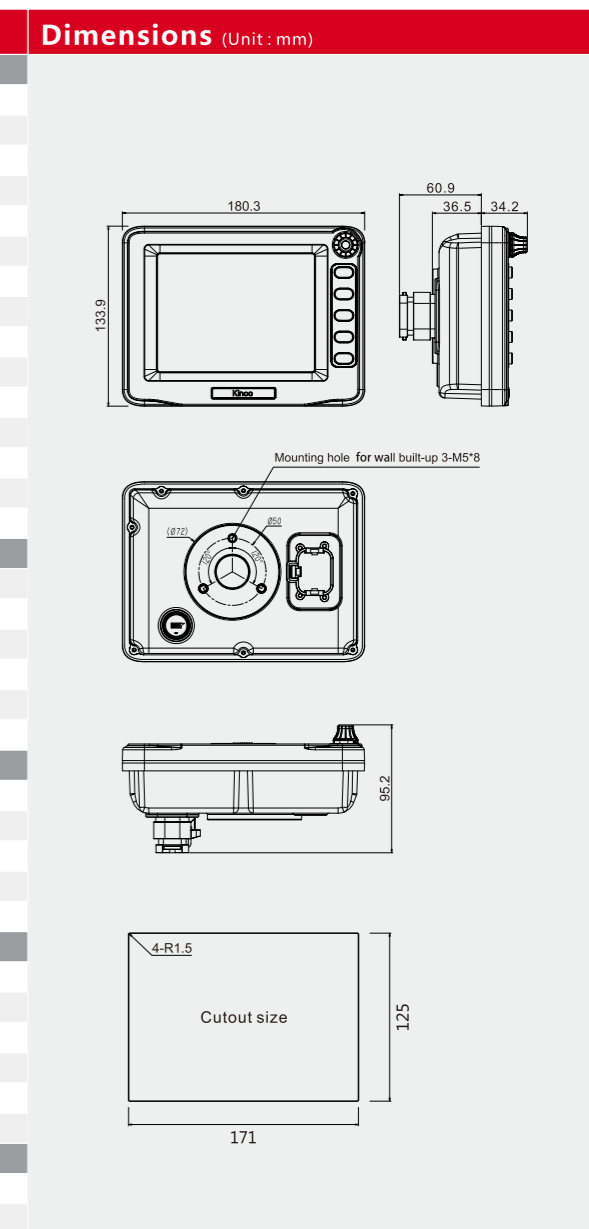
## Kinco CZ6

Design for severe environment only

- Outer shell use high thermostability, high strength, uvioresistant material ensure the best performance when HMI working in the severe environment.
- With wide range temperature LCD, working temperature can be -20°C - 60°C.
- Highly shockproof performance.
- Multiple serial ports, CAN port, support CANopen / CANJ1939/ serials port / RS232/RS485.
- Whole body IP65 protection.



Model	CZ6
<b>Performance specification</b>	
Display	5.7" TFT
Resolution	640*480 pixels
Color	65535 colors
Brightness	700cd/m <sup>2</sup>
Backlight	LED
Backlight life	50000 hr.
Processor	RISC Cortex-A8 800MHz
Memory	256MB FLASH+256MB DDR3
Recipe memory & RTC	32KB + RTC
Expandable memory	1 USB Host
Printer port	USB/Serial port
Ethernet	None
Program download	1*USB 2.0/Serial port
COM port	COM0 : RS232/RS485 , COM2 : RS232 , 1*CAN port
Extended interface	None
<b>Electrical specification</b>	
Rated power	10W
Rated voltage	DC24V (Isolation)
Input range	9V~36VDC
Power down allowed	<3ms
Insulation resistance	Greater than 50MΩ @500VDC
Dielectric strength test	500V AC 1 minute
<b>Structure specification</b>	
Shell color	Navy blue
Shell material	ASA+PC
Dimensions	180.3x133.9x70.7mm
Cutout size	171x125mm
Weight	1 Kg
<b>Environment specification</b>	
Operating temperature	-20°C~60°C
Operating humidity	10~90%RH(non-condensing)
Storage temperature	-30°C~80°C
Storage humidity	10~90%RH(non-condensing)
Shockproof test	10~25 Hz (X、Y、Z direction 2G/30 minutes)
Cooling method	Natural air cooling
<b>Certification</b>	
Degree of protection	IP65 (Whole body)
FCC compatibility	Comply with FCC Class A



## Kinco CZ10

### Customized HMI - for vehicle

- RISC Cortex-A8 800MHz professional CPU.
- Larger storage space , 256MB FLASH + 256MB DDR3.
- With two serials port expandable , support RS232 / RS485/RS422.
- With two video input.
- Back-lighting keyboard ,easy for night operation.
- With wide range temperature LCD ,working temperature can be -20°C~60°C , high brightness, full-view,sunlight Readable.
- With full item metal outer shell , with best cooling and shockproof performance.
- With power supply isolation design , suppress interference to ensure the best working performance.



Model	CZ10	Dimensions (Unit : mm)
<b>Performance specification</b>		
Display	10.4" TFT	
Resolution	640x480 pixels	
Color	65536 colors	
Brightness	500cd/m <sup>2</sup>	
Backlight	LED	
Backlight life	50000 hr.	
Touch panel	None	
Function Keys	16 keys, programmable functions can be customized	
Processor	RISC Cortex-A8 800MHz	
Memory	256MB Flash+256MB RAM	
Recipe memory & RTC	32KB+RTC	
Expandable memory	1*USB Host(≤16G)	
Printer port	USB Host/Slave/Serial port	
Program download	1*USB 2.0/Serial port	
COM port	2x CAN, 1x RS232/RS485/RS422, 1xRS232 (Isolation)	
Video input	2 * CVBS analog signal input (BNC connector), support PAL/NTSC interface	
<b>Electrical specification</b>		
Power supply isolation	Built-in	
Rated power	12W	
Rated voltage	DC24V	
Input range	DC9V ~ DC36V	
Power down allowed	<3ms	
Insulation resistance	Greater than 50MΩ@500V DC	
Dielectric strength test	500 VAC 1 minuter	
<b>Structure specification</b>		
Shell color	Brown	
Shell material	Aluminium alloy	
Dimensions	300x226x70mm	
Cutout size	281x207mm	
Weight	3.3Kg	
<b>Environment specification</b>		
Operating temperature	-20 ~ 70°C	
Operating humidity	10 ~ 90%RH (non-condensing)	
Storage temperature	-30 ~ 80°C	
Storage humidity	10 ~ 90%RH (non-condensing)	
Shockproof test	IEC 68-2-6	
Cooling method	Natural air cooling	
<b>Certification</b>		
Degree of protection	IP65 (4208—93)	
CE certification	EN61000-6-2:2005/EN61000-6-4:2007+A1:2011	
FCC compatibility	Complies with FCC Class A	

## Kinco F7 / F10

### Whole body IP65 water-proof HMI

- Full item with IP65 water-proof.
- Bracket mounting flexible installation.
- 800MHz CPU.
- High resolution (F10 with 1280 \* 800 pixels).
- Use pen-drive to up/download program easy to use.
- Fashion design.



F7



F10

Model	F7	F10	Dimensions (Unit : mm)
<b>Performance specification</b>			
Display	7" TFT	10.1" TFT	
Color	65536 colors	65536 colors	
Resolution	800x480 pixels	1280x800 pixels	
Backlight	LED	LED	
Brightness	300cd/m <sup>2</sup>	250cd/m <sup>2</sup>	
Backlight life	50000 hr.		
Touch panel	4-wire precision resistance network		
Processor	800MHz RISC		
Memory	128MB Flash+64MB RAM		
Recipe memory & RTC	512KB+RTC		
Expandable memory	1 USB Host(≤16G)		
Printer port	USB Host/Serial port		
Ethernet	None		
Program download	USB HOST		
COM port	COM0:PLC RS485-2W, COM2:PC/PLC RS232 (Isolation)		
<b>Electrical specification</b>			
Power supply isolation	Built-in	Built-in	
Rated power	5W	8W	
Rated voltage	DC24V		
Input range	DC18 ~ DC28V		
Power down allowed	<3ms		
Insulation resistance	Greater than 50MΩ@500V DC		
Dielectric strength test	500 VAC 1 minute		
<b>Structure specification</b>			
Shell color	Metal gray		
Shell material	ABS		
Dimensions	182x116x30 mm	250x167x28.4 mm	
Cutout size	Bracket mounting		
Weight	0.57KG	0.91KG	
<b>Environment specification</b>			
Operating temperature	0 ~ 50°C		
Operating humidity	10 ~ 90%RH (non-condensing)		
Storage temperature	-10 ~ 60°C		
Storage humidity	10 ~ 90%RH (non-condensing)		
Shockproof test	10 ~ 25Hz (X、Y、Z direction 2G/30 minutes)		
Cooling method	Natural air cooling		
<b>Certification</b>			
Degree of protection	IP65 (4208—93)		
CE certification	EN61000-6-2:2005/EN61000-6-4:2007		
FCC compatibility	Complies with FCC Class A		



## SZ7 Serials handheld terminal

Serials : SZ7 (Kinco HMIWare software) , SZ7 (WinCE) , SZ7V (VGA expandable).

Remote control : with hand-held terminal, support 5m / 10m / 15m long distance operation.

Easy for installation : support FDMI standard (75 \* 75mm) bracket or rack installation.

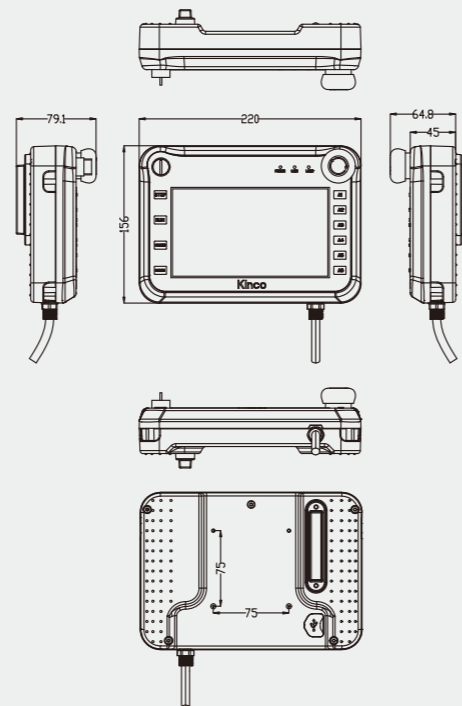


\* SZ7V/VS  
With a standard VGA input port

Model	SZ7	SZ7S	SZ7E	SZ7ES	SZ7V	SZ7VS
<b>Performance specification</b>						
Display	7" TFT					
Resolution	800×480 pixels					
Color	65536 colors					
Brightness	250 cd/m <sup>2</sup>					
Backlight	LED					
Touch panel	4-wire precision resistance network					
Backlight life	50000 hr.					
Programable button	10		10		10 (optional)	
Programable LED	2		2		-	
Emergency button	1		1		1	
Selection Switch	1		1		1	
Dead-man switch	None	1	None	1	None	1
Processor	800MHz RISC					
Memory	128MB Flash + 64MB RAM					
Recipe memory & RTC	256KB + RTC					
Expandable memory	1*USB Host					
Serial port	1*RS485-2, RS232		RS232		RS485/RS232 (Either-or)	
Ethernet	None		1*10M/100M		-	
Program download	RS232, USB Host		RS232, USB Host, Ethernet		-	
COM port	RS485-2, RS232		RS232, Ethernet		-	
<b>Electrical specification</b>						
Power supply isolation	Built-in				Built-in	
Rated power	8W				10W	
Rated voltage	DC 24V					
Input range	16~32VDC					
Power down allowed	< 3ms					
Insulation resistance	Greater than 50MΩ@500VDC					
Dielectric strength test	500V AC 1 minute					
Cable length	5 m					
<b>Structure specification</b>						
Shell color	Black					
Shell material	ABS+PC					
Dimensions	220×156×45 mm					
Installation	Bracket mounting, suspension mounting					
<b>Environment specification</b>						
Operating temperature	0 ~ 50°C					
Operating humidity	10 ~ 90%RH (non-condensing)					
Storage temperature	-10 ~ 60°C					
Storage humidity	10 ~ 90%RH (non-condensing)					
Shockproof test	10 ~ 25 Hz (X、Y、Z direction 2G/30 minutes)					
Cooling method	Natural air cooling					
<b>Certification</b>						
Degree of protection	Front panel IP65 , overall unit IP62					
CE certification	EN61000-6-2 : 2005, EN61000-6-4 : 2007					



### Dimensions (Unit : mm)



## Software Description

Kinco HMIware is suitable for MT4000/MT5000 series HMIs.

Kinco Dtools is suitable for CZ6/CZ10 series HMIs.

### Operation window:

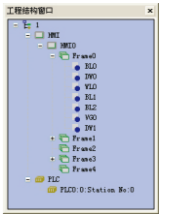
A simple and practical platform for project design and editing

- Completing all functions from editing components library and simulation compilation, to download;
- Browse various project information and make better adjustment in time.

### Project file window

Facilitate in modifying components library

- Click an image library file, and the user can browse and edit the file;
- Visual understanding of the HMI quantity used.



All windows can be dragged freely, and a user can create individualized operation interfaces according to his/her own habits.

### Menu bar

True color icon, visual and convenient navigation

- Familiar icon style for most users, easy to use;
- Simple and visual function.



### Compilation information window

Display compilation progress

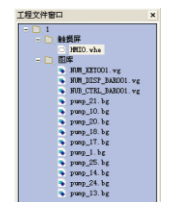
After compilation display, the user can download files.



### Project structure window

Master the conditions of the entire project

Master the HMI, HMI components and PLC type used for the entire project.



### Components library window

Five components libraries, meeting design requirements



Communication connection

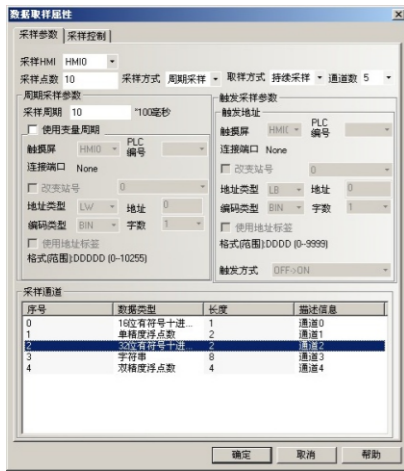
Touch screen

PLC

PLC components

Functional components

## Software Description

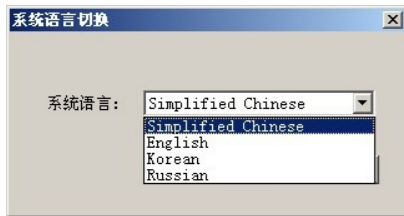


### 1. Powerful data process ability Data base + Data report elements

序号	日期	时间	通道1	通道2
2	13-09-14	16:15:00	0	162.00
3	13-09-14	16:16:00	55	66.00
4	13-09-14	16:17:00	9	38.00
5	13-09-14	16:18:00	64	195.00

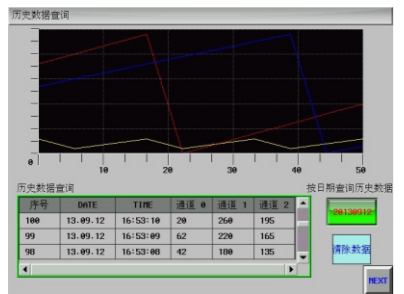
查询地址: 触发查询地址: LBO  
 起始日期: 20130814 LW0  
 起始时间: 161300 LW2  
 结束日期: 20130814 LW4  
 结束时间: 162000 LW6

Description : The standard Data base support SQL , User can upload the data base and data report to PC for modification ,and download back to HMI after finish the modification. Max 64 channels for data sampling ; Support trigger sampling and circle sampling ; There are five options to get the values , they are Instantaneous value / Max value / Average value / Added value.



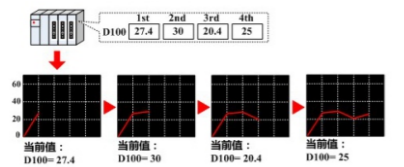
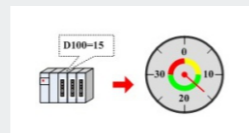
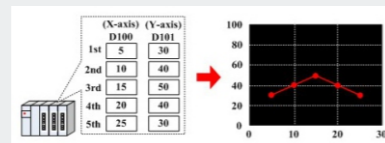
### 2. Multi-language application environment

Any language supported by Windows can be displayed on the panel. The user can use up to 4 languages within a project , which makes it possible for global users to share their window with their clients worldwide.



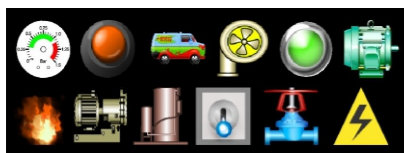
### 3. Graph / Meter components

Trend Plot / XY Plot / Oscillograph / Meter / Bar Picture etc , Users can use the different say to display the values changing or its processes . The Trend Curve can be saved by EXCEL and saved or export.



### 4. Rich components library resources , Digital photos/ Corporate logo import

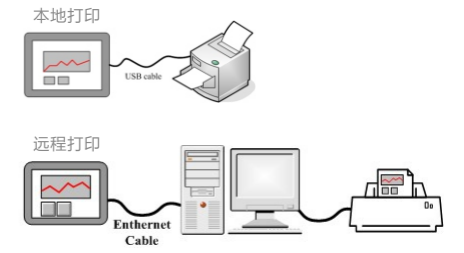
The HMIware supports the import of multiple Windows image formats , such as JPG , BMP , GIF . User can control the GIF image on/off and its changing frequency.



### 5. Program printing

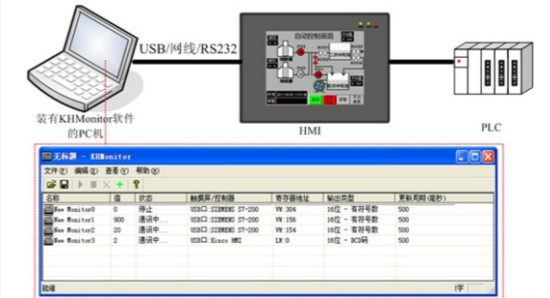
Local-Printing : Support multiple brands of printer, Users just need use a USB cable to connect with the printer which support the PicBridge protocol for program printing.

Remote-Printing : With the HMI which is support Ethernet , use PC or Printer which connected with network for program printing , Not request any additional print driver.



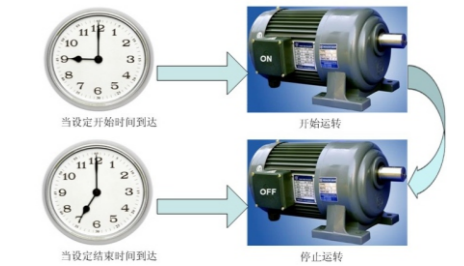
### 6. Remote monitoring

With built-in KHMonitor tool , users can use PC for remote monitor HMI with PLC data , convenient for site monitoring and troubleshooting.



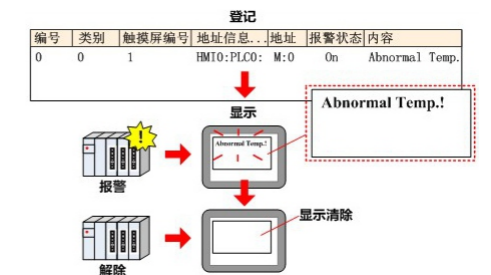
### 7. Schedule list

User can use this element to achieve the time schedule and change the bit state or word value.



### 8. Alarm function

Users can use these elements to achieve Alarm function , Event display / Historical event display / Event Bar / Alarm display / Alarm Bar etc. Event display is support CSV image format which support save the Alarm information to other external device , Convenient for user get details informations of Alarm and solve it.



### 9. Sound Lib

It is used to save WAV or MP3 audio file , The audio file can use for all program like Event / Alarm or anywhere need the audio.

